

Build a Beautiful Armoire with Lots of Storage!

DIY Plans to Build a Starling Armoire

I love armoires... They are big, beautiful, and have lots of storage possibilities! The DIY plans to build a Starling armoire feature two drawers and two doors with two shelves, plus it is a very easy build! The door panels can be swapped out with decorative punched aluminum or glass for a completely different look to suit your style!

build a starling armoire



Materials:

- 1" pocket hole screws
- 1-1/4" pocket hole screws
- 1-1/4" brad nails

- 1-1/2" screws
- Edge banding, optional
- 2 sets of 18" Drawer slides
- 2 sets of hinges
- Cabinet pulls
- Wood glue
- Sandpaper (100, 150, 220 grits)
- Finishing supplies (primer & paint, or stain, sealer)

Lumber:

- 8 – 1x2 at 8'
- 4 – 1x3 at 6'
- 1 – 1x6 at 4'
- 2 – 1x6 at 8'
- Scrap of 2x2 measuring 20"
- 1 – 4' x 4' sheet of 1/2" plywood
- 3 – 4' x 8' sheets of 3/4" plywood
- 1 – 8' piece of 3/4" trim

Cut List:

- 4 – 2x2 at 4" – Base Legs
- 2 – 1x2 at 16" – Base Frame
- 2 – 1x2 at 36" – Base Frame
- 1 – 3/4" plywood at 19-1/4" x 40" – Bottom
- 2 – 3/4" plywood at 19-1/4" x 60-1/2" – Sides
- 1 – 3/4" plywood at 38-1/2" x 60-1/2" – Back
- 4 – 1x2 at 18-1/2" – Drawer Slide Spacers
- 4 – 1x2 at 17" – Shelf Frames
- 4 – 1x2 at 38-1/2" – Shelf Frames
- 3 – 3/4" plywood at 18-1/2" x 38-1/2" – Shelves
- 4 – 1x2 at 37" – Front Frame
- 2 – 1x2 at 61-1/4" – Front Frame
- 1 – 3/4" plywood at 21" x 42" – Top
- 3/4" trim cut to fit under the top at the sides and front

- 2 – 3/4" plywood at 16-1/2" x 34-1/2" – Drawer Box Bottoms
- 4 – 1x6 at 16-1/2" – Drawer Box Sides
- 4 – 1x6 at 36" – Drawer Box Front & Back
- 2 – 3/4" plywood at 7-1/2" x 36-3/4" – Drawer Fronts
- 4 – 1x3 at 13-5/16" – Door Rails
- 4 – 1x3 at 39-1/2" – Door Stiles
- 2 – 1/2" plywood at 13-5/16" x 34-1/2" – Door Panels

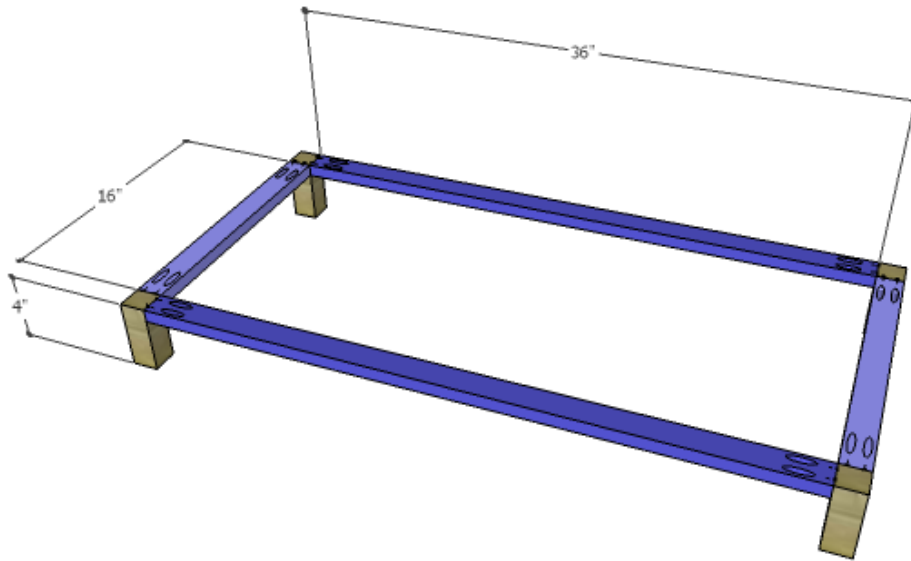


Click on the drawings for a larger view!

Step One

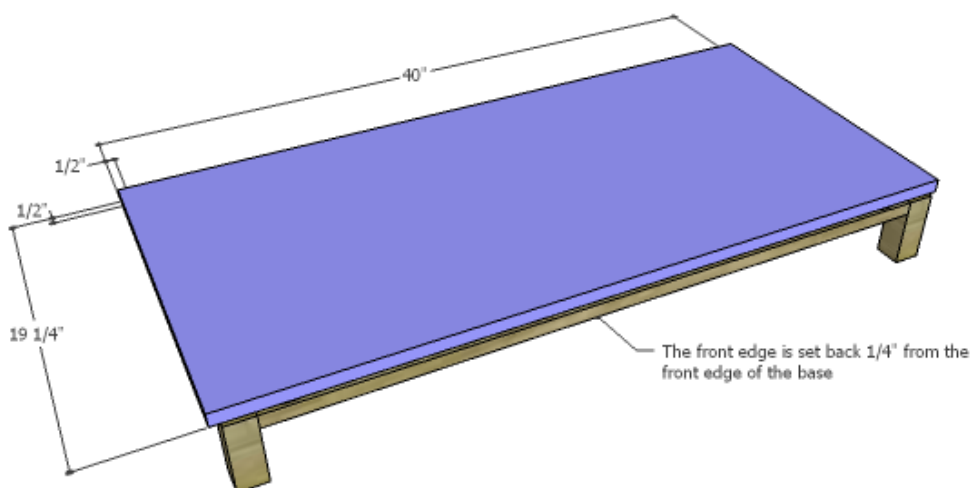
Edge banding will be applied to the exposed edges of the plywood prior to assembly!

Cut the pieces for the legs and the base frame. With the pocket hole jig set for 3/4" material, drill pocket holes in each end of the frame pieces. Assemble the base frame as shown in the drawing using glue and 1-1/4" pocket hole screws.



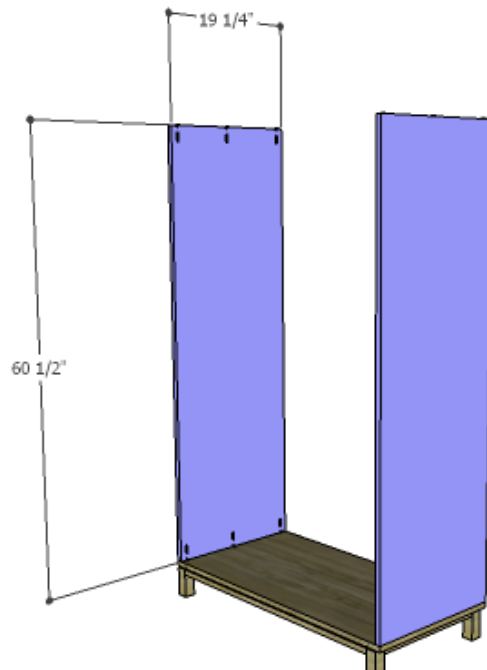
Step Two

Cut the piece for the bottom. *The side and back edges will overhang the base by 1/2" while the front is positioned 1/4" back from the front edge of the base. The front frame will rest on this part of the base.* Secure the bottom on the base using glue and 1-1/4" brad nails.



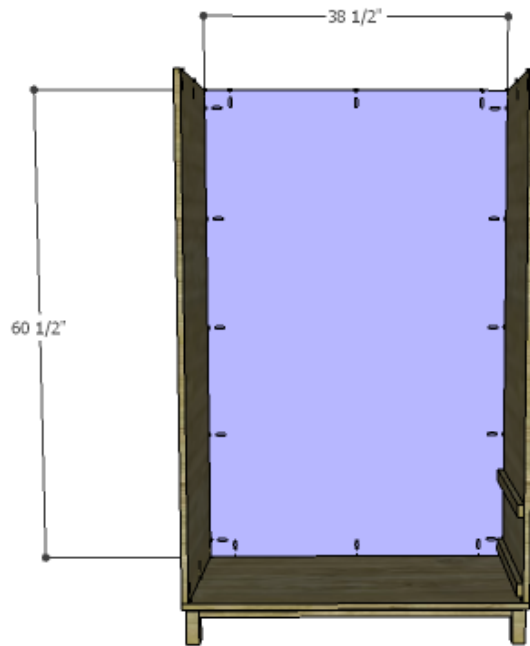
Step Three

Cut the pieces for the sides and drill pocket holes in each end. Secure the sides to the bottom using glue and 1-1/4" pocket hole screws.



Step Four

Cut the piece for the back and drill pocket holes in all four edges. Secure the back to the sides and bottom using glue and 1-1/4" pocket hole screws.



Step Five

Cut the pieces for the drawer slide supports. Secure the supports as shown (noting that the lower support is positioned 3/4" up from the bottom) using glue and 1-1/4" brad nails.

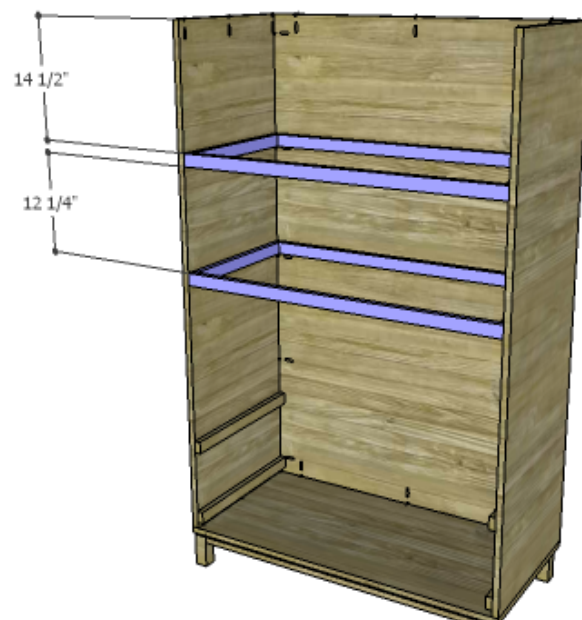
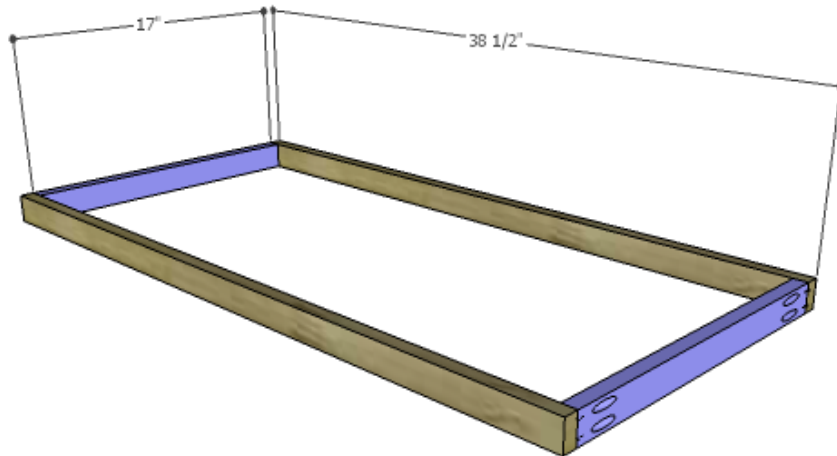


Step Six

Cut the pieces for the shelf frames and drill pocket holes in

each end of the shorter pieces. Assemble the frames using glue and 1-1/4" pocket hole screws.

Position the frames inside the cabinet as shown securing in place using glue and 1-1/2" screws.

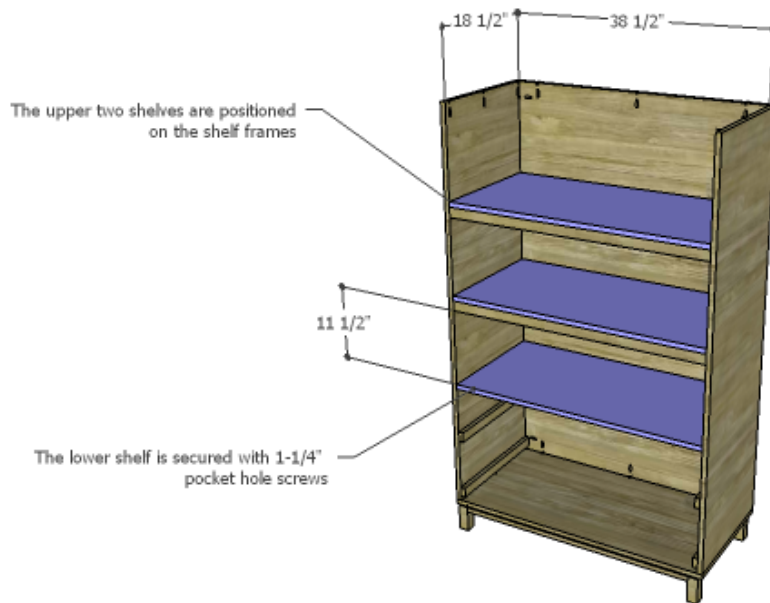


Step Seven

Cut the pieces for the shelves. There are three shelves – one is the divider between the drawers and the doors. Drill pocket

holes in the side and back edges of ONE shelf. Secure the shelf inside the cabinet as shown using glue and 1-1/4" pocket hole screws.

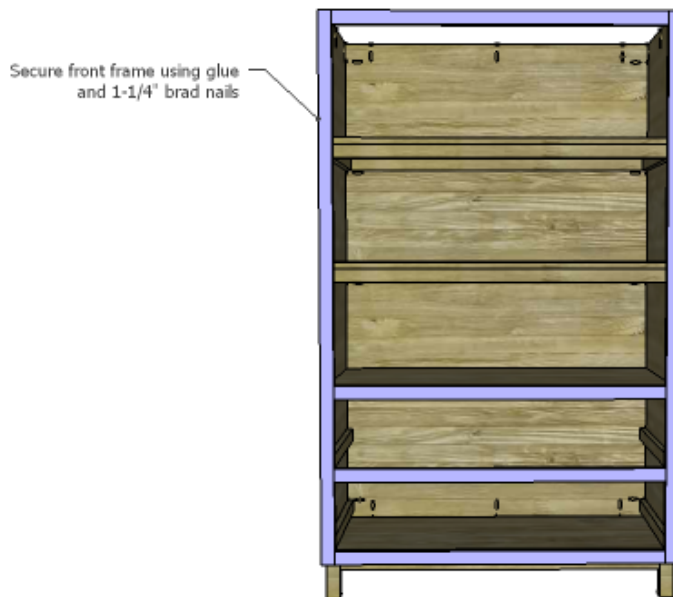
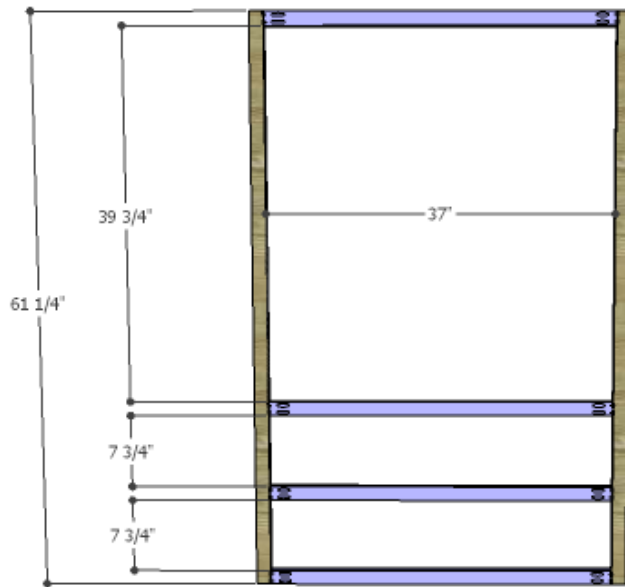
The other two shelves will rest on the frames. Secure in place using glue and 1-1/4" brad nails.



Step Eight

Cut the pieces for the front frame and drill pocket holes in each end of the shorter pieces. Assemble the front frame as shown using glue and 1-1/4" pocket hole screws.

Position the frame on the front of the cabinet, resting the bottom on the base at the 1/4" gap created by the bottom. Secure the frame to the sides and the lower shelf (the divider between the drawers and doors) using glue and 1-1/4" brad nails.

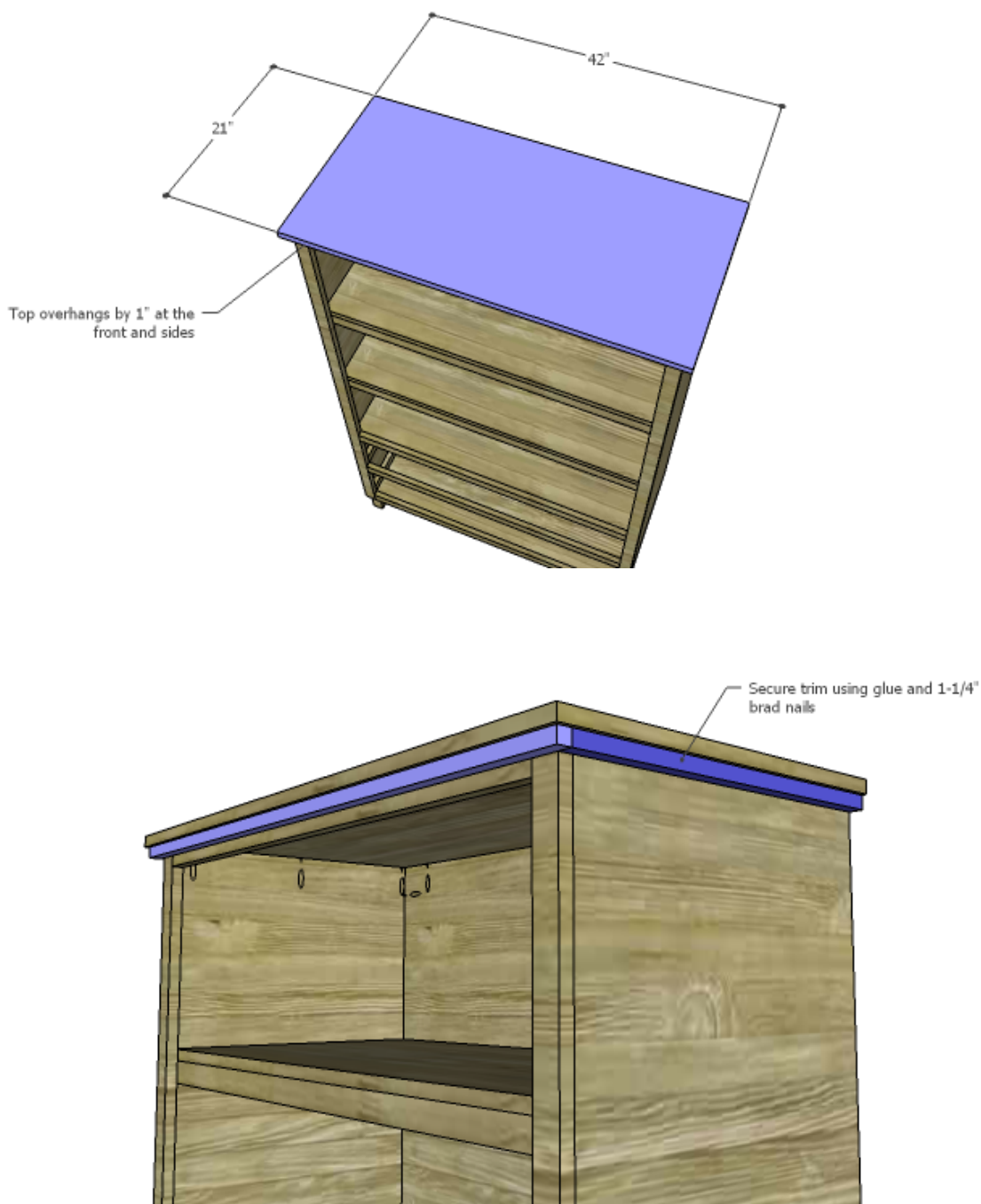


Step Nine

Cut the piece for the top. The front and sides will overhang by 1". Secure the top using glue and 1-1/4" pocket hole screws through the pocket holes already drilled in the upper sides and back.

Cut the pieces for the trim. There are no dimensions given because it will depend on the type of trim selected. Secure the sides first using glue and 1-1/4" brad nails, then secure

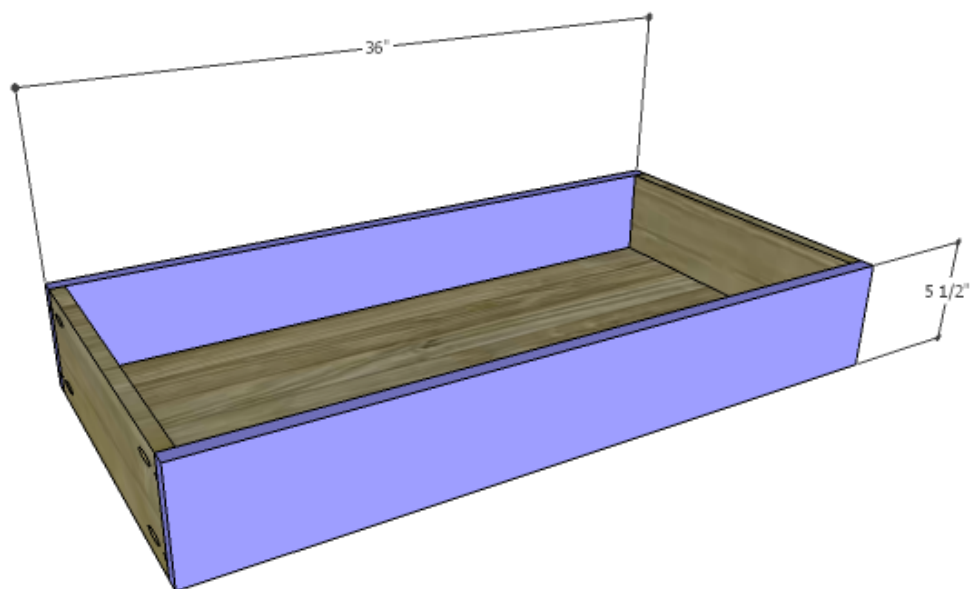
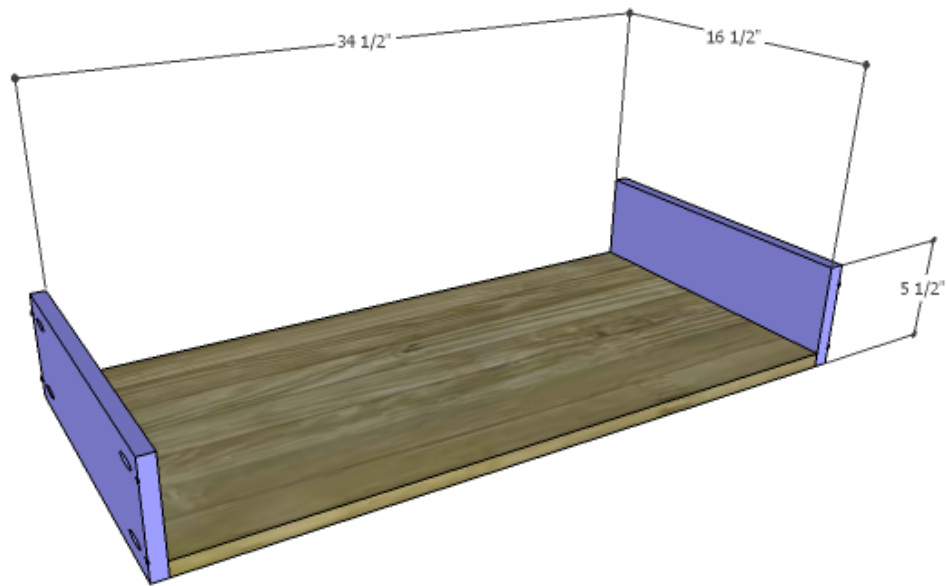
the front in the same manner.



Step Ten

Cut the pieces for the drawer boxes. Drill pocket holes in all four edges of the bottom as well as each end of the sides. Assemble the drawer boxes as shown using glue and 1-1/4" pocket hole screws. Install the drawer slides according to the manufacturer's installation instructions, locating them $\frac{3}{4}$ " back from the front edge of the front frame. For an easy

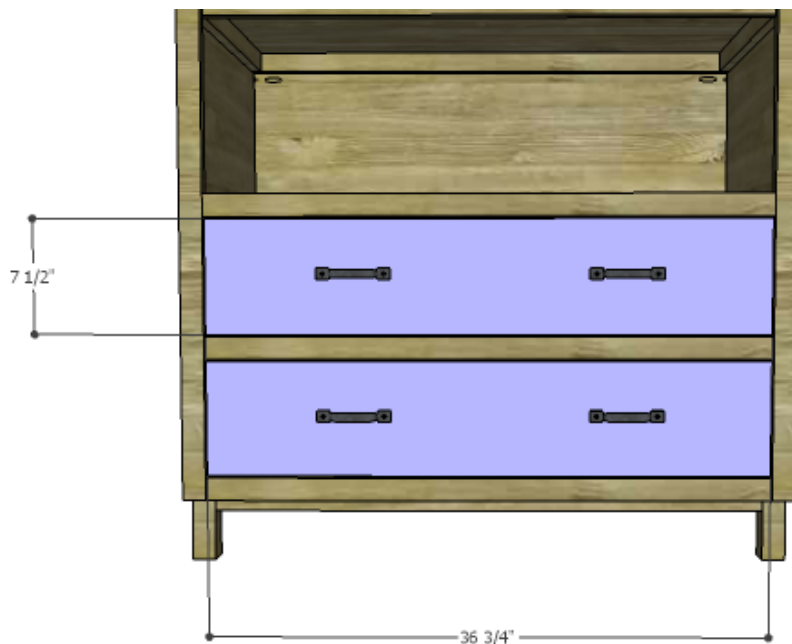
tutorial, [click here](#). Make any necessary adjustments.



Step Eleven

Cut the pieces for the drawer fronts. Mark the position for the drawer pulls and drill the holes. Shim the drawer front in the opening – there will be a 1/8" gap around all sides – then drive screws through the holes for the drawer pulls into the drawer box. Open the drawer, and secure the drawer front using countersunk 1-1/4" screws from the inside. Remove the screws

from the holes for the drawer pull then finish drilling the holes. Install the drawer pull. For an easy tutorial on installing drawer fronts, [click here](#).

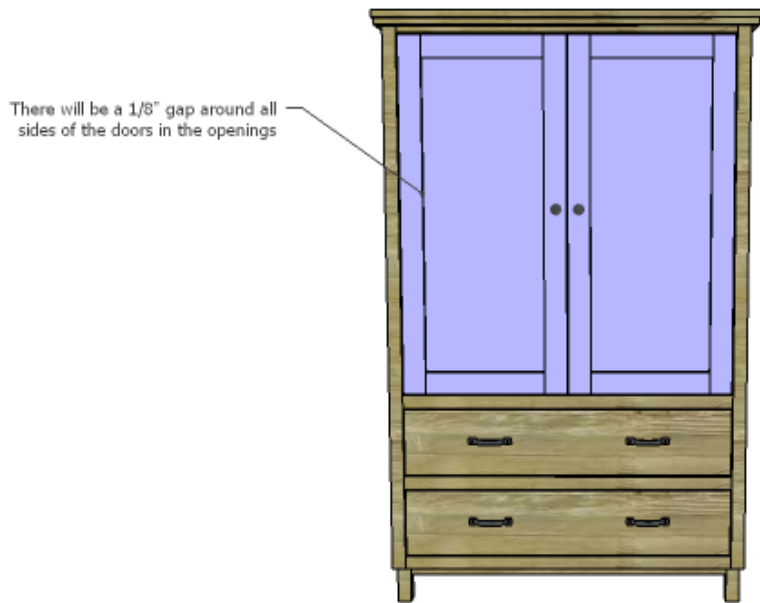
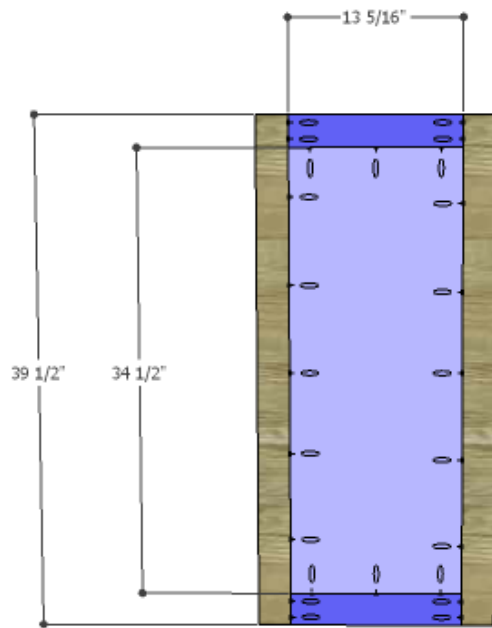


Step Twelve

Cut the pieces for the doors and the door panels. Drill pocket holes in each end of the door rails (the shorter pieces) and assemble the doors as shown using glue and 1-1/4" pocket hole screws.

Set the pocket hole jig for 1/2" material and drill pocket holes in all four edges of the panels. Insert the panels into the door frames securing in place using glue and 1" pocket hole screws.

Install the hinges on the doors, then install the doors in the cabinet. Drill holes for the cabinet pulls, and install the pulls.



Finish as desired.

This armoire would be the perfect piece in a variety of spaces – holding linens in a bathroom, pantry items in a kitchen, or even clothing in a bedroom! Have any questions about the DIY plans to build a Starling armoire? Leave a comment below or contact me at [cher {at} designsbystudioc {dot} com](mailto:cher@designsbystudioc.com)!