

A Media Console with Simple Lines and Lots of Storage!

DIY Plans to Build a Jamie Media Console

This media console is very simplistic in design but has quite a bit of storage. The DIY plans to build a Jamie Media Console feature a planked top with a mitered frame, three drawers, and a large open shelf. This will be quite the inexpensive build and can be completed in a weekend!



Materials:

- 1-1/4" pocket hole screws
- 2-1/2" pocket hole screws
- 2" brad nails
- Edge banding, optional
- Wood glue

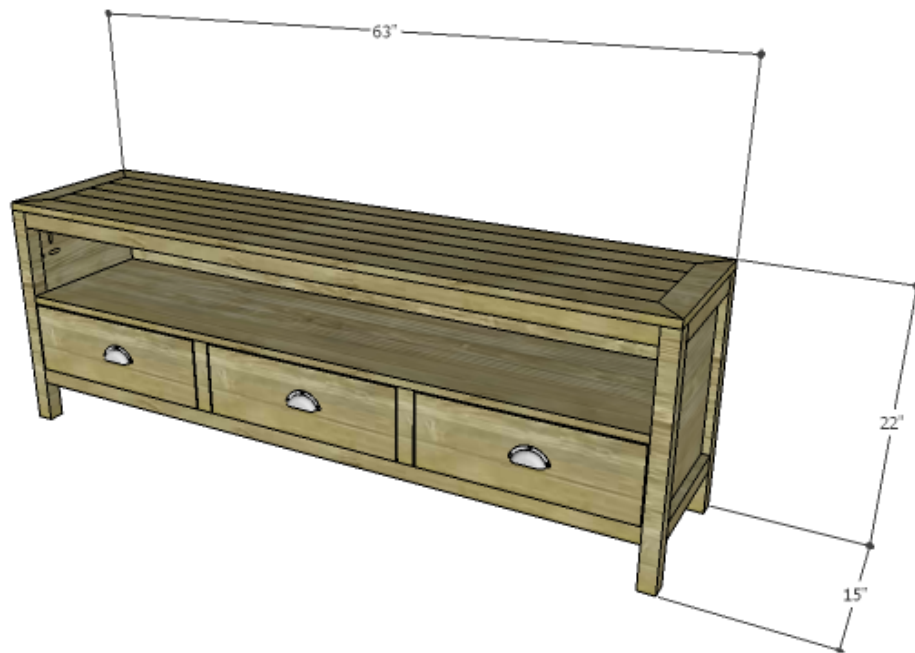
- Sandpaper (100, 150, 220 grits)
- Finishing supplies (primer & paint, or stain, sealer)
- Paste wax

Lumber:

- 4 – 1×3 at 6′
- 2 – 1×3 at 8′
- 2 – 1×8 at 6′
- 6 – 2×2 at 8′
- 1 – 4′ x 8′ sheet of 3/4″ plywood

Cut List:

- 4 – 2×2 at 21-1/4″ – Legs
- 4 – 2×2 at 12″ – Side Framing
- 2 – 3/4″ plywood at 12″ x 14-1/4″ – Side Panels
- 4 – 2×2 at 60″ – Back Framing & Front Stretchers
- 1 – 3/4″ plywood at 14-1/4″ x 60″ – Back
- 1 – 3/4″ plywood at 12″ x 60″ – Bottom
- 2 – 2×2 at 6-3/4″ – Drawer Dividers
- 2 – 2×2 at 12″ – Drawer Spacers
- 1 – 3/4″ plywood at 13-1/2″ x 60″ – Shelf
- 4 – 1×3 at 58″ – Top Center Planks
- 2 – 1×3 at 15″ – Top Frame
- 2 – 1×3 at 63″ – Top Frame
- 3 – 3/4″ plywood at 12″ x 17-1/4″ – Drawer Bottoms
- 6 – 1×8 (ripped to 6-5/8″ wide) at 12″ – Drawer Sides
- 6 – 1×8 (ripped to 6-5/8″ wide) at 18-3/4″ – Drawer Front & Back

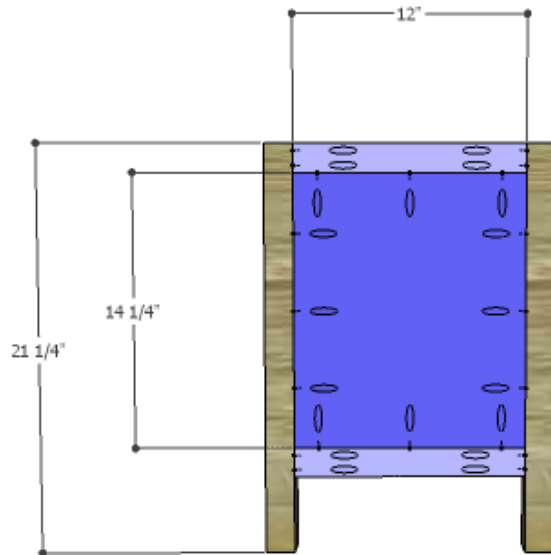


Click on the drawings for a larger view!

Step One

Cut the pieces for the legs, side frames, and side panels. With the pocket hole jig set for 1-1/2" material, drill pocket holes in each end of the framing pieces. Secure the framing pieces to the legs using glue and 2-1/2" pocket hole screws.

Set the pocket hole jig for 3/4" material and drill pocket holes in all four edges of each panel. Secure the panel to the legs and side framing using glue and 1-1/4" pocket hole screws. The inside face of the panels will be flush with the inside faces of the legs and side framing.

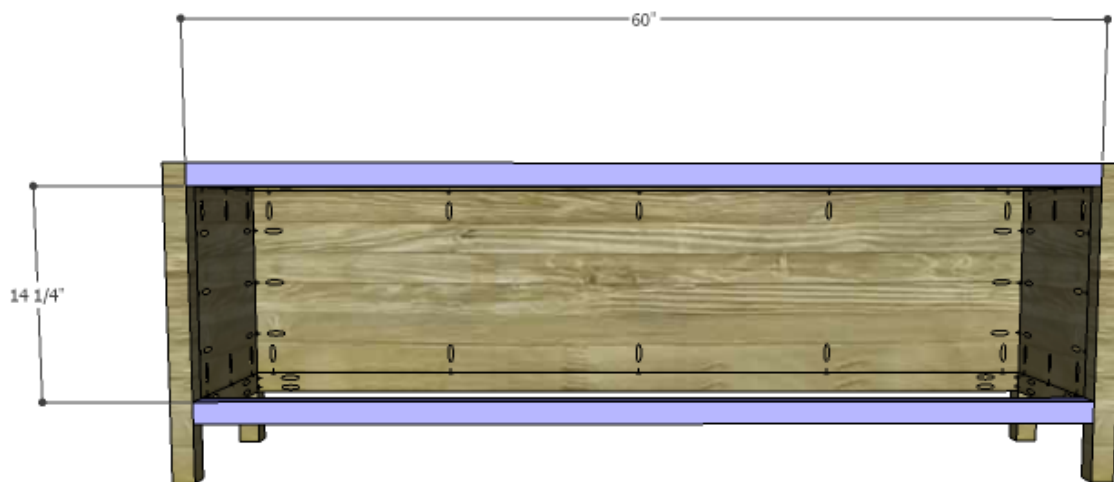
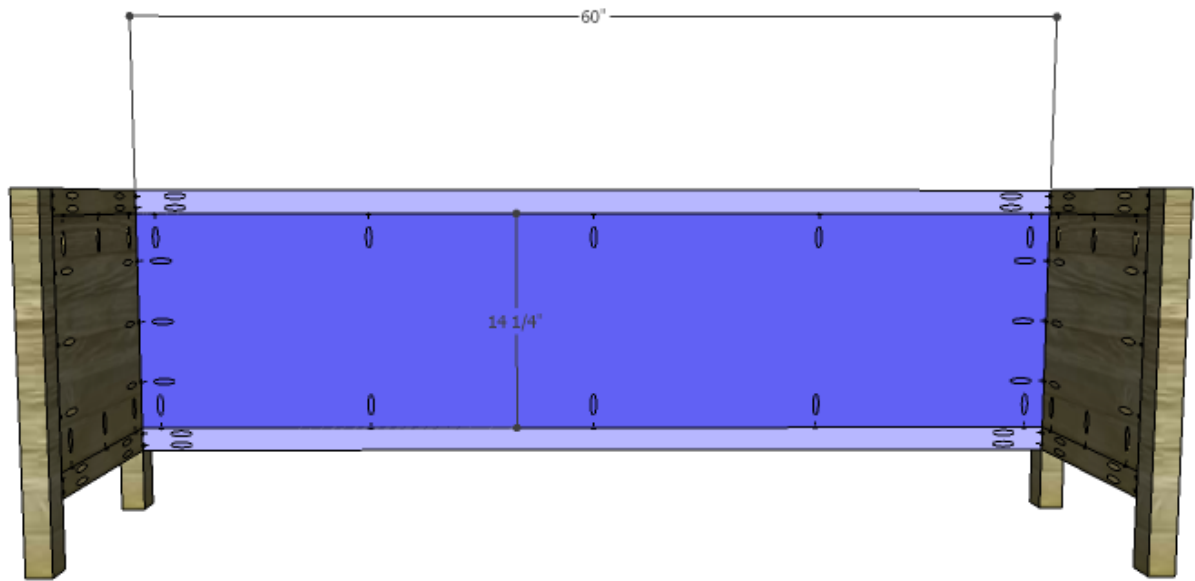


Step Two

Cut the pieces for the back framing, front stretchers, and back panel. Set the pocket hole jig for 1-1/2" material and drill pocket holes in each end of the back framing and front stretchers. Secure the back framing to the legs using glue and 2-1/2" pocket hole screws.

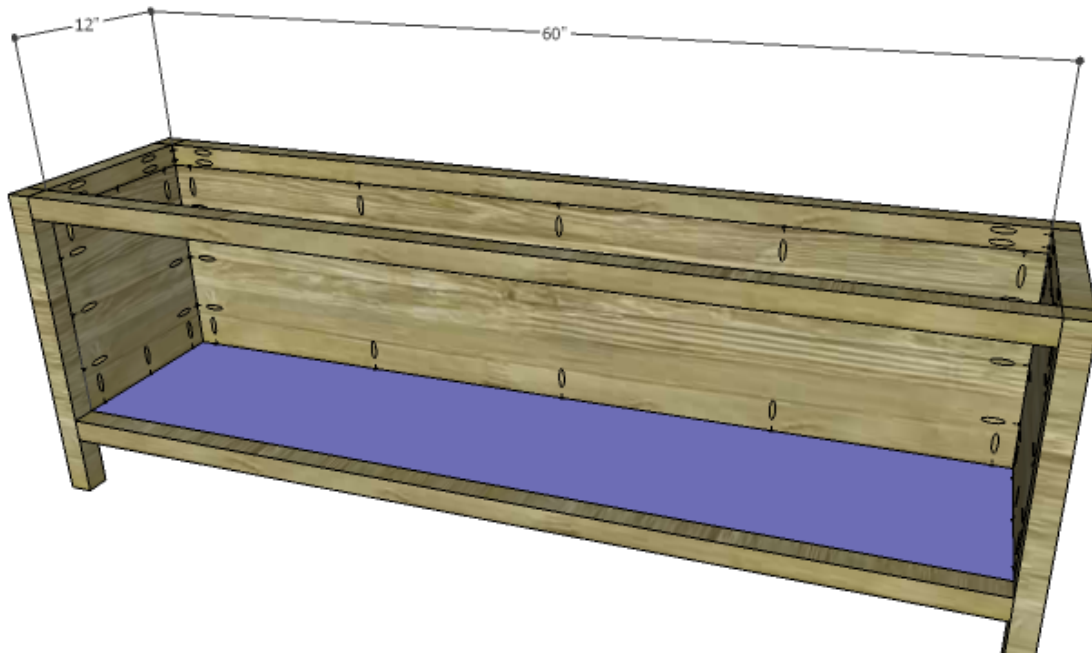
Set the pocket hole jig for 3/4" material and drill pocket holes in all four edges of the back panel. Secure the panel to the legs and back framing using glue and 1-1/4" pocket hole screws. The inside face of the panel will be flush with the inside faces of the legs and back framing.

Secure the front stretchers to the legs as shown using glue and 2-1/2" pocket hole screws.



Step Three

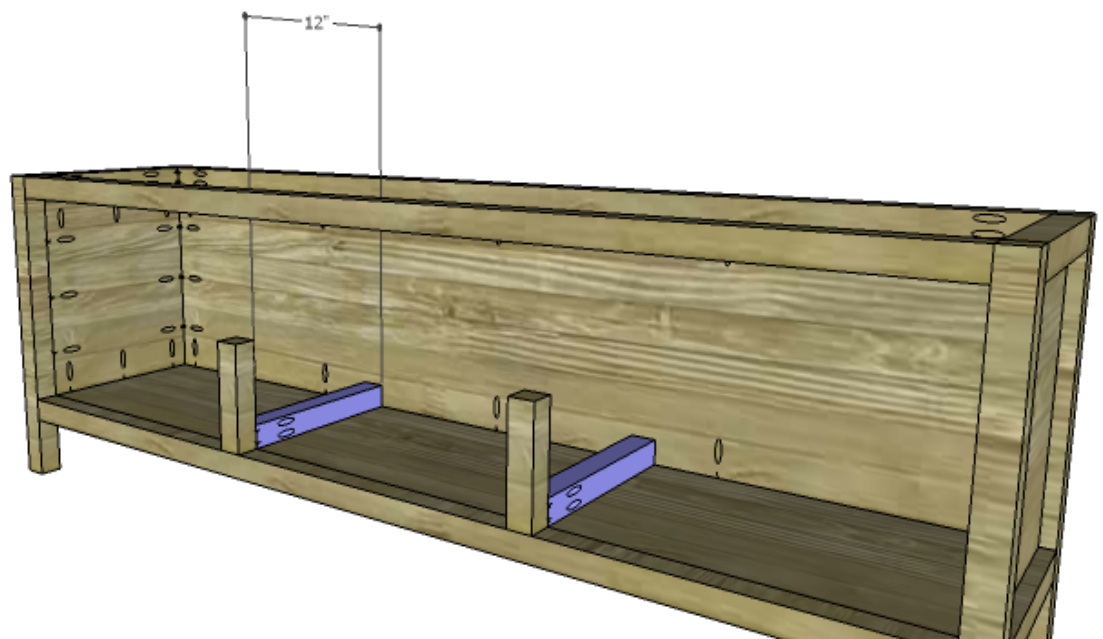
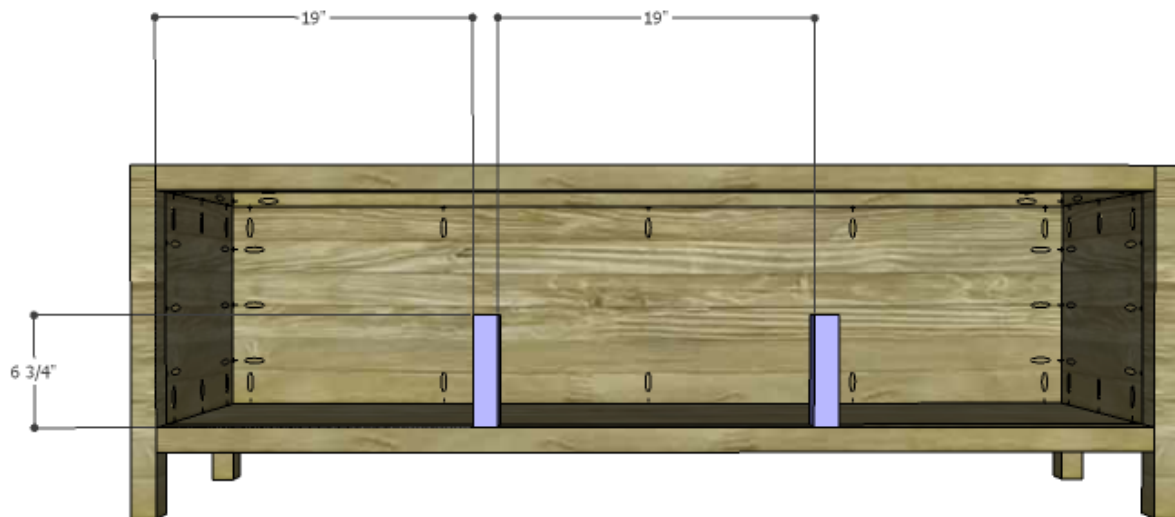
Cut the piece for the bottom and drill pocket holes in all four edges. Secure the bottom to the lower side framing, the lower back framing, and the lower front stretcher using glue and 1-1/4" pocket hole screws. The top face of the bottom will be flush with the top face of the front stretcher.



Step Four

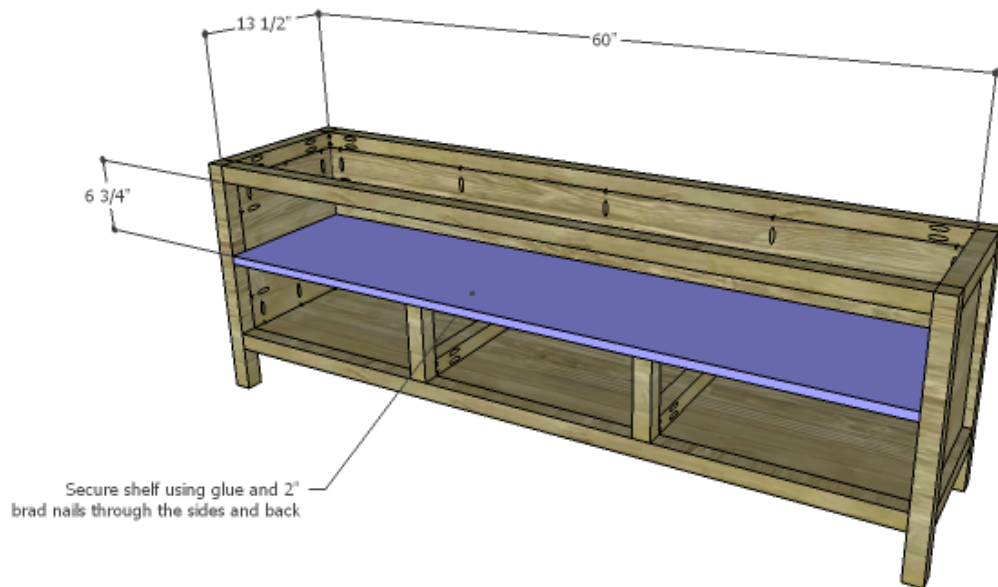
Cut the pieces for the drawer dividers and the drawer spacers. Set the pocket hole jig for 1-1/2" material and drill pocket holes in one end only of each piece. Secure the dividers to the lower front stretcher as shown using glue and 2-1/2" pocket hole screws.

Secure the drawer spacers to the drawer dividers using glue and 2-1/2" pocket hole screws. Add a few brad nails through the back panel into the back end of the drawer spacer to further secure it in place.



Step Five

Cut the piece for the shelf. Apply edge banding to the front edge, if desired. Position the shelf on the dividers, and secure in place using glue and 2" brad nails through the side and back panels. Add a few brad nails through the shelf into the tops of the dividers.

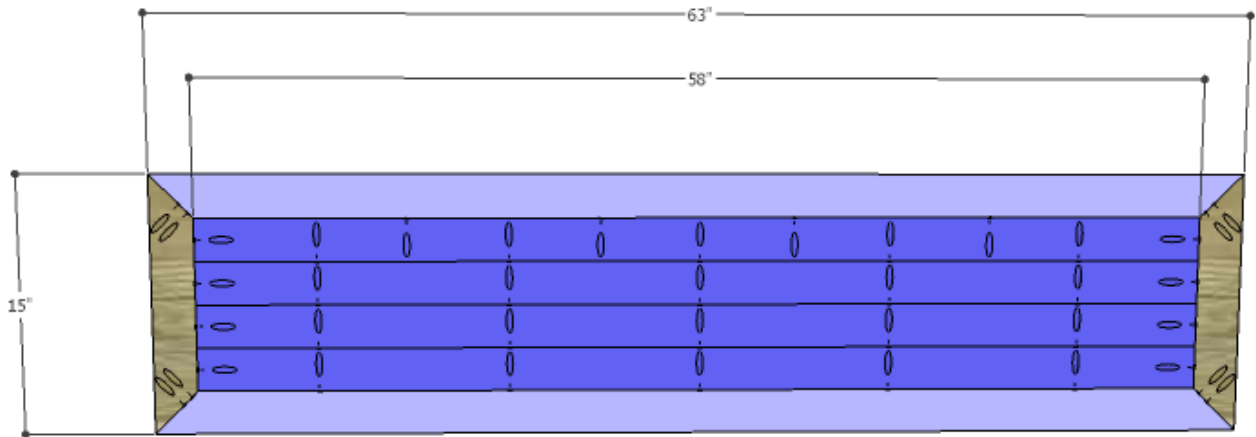


Step Six

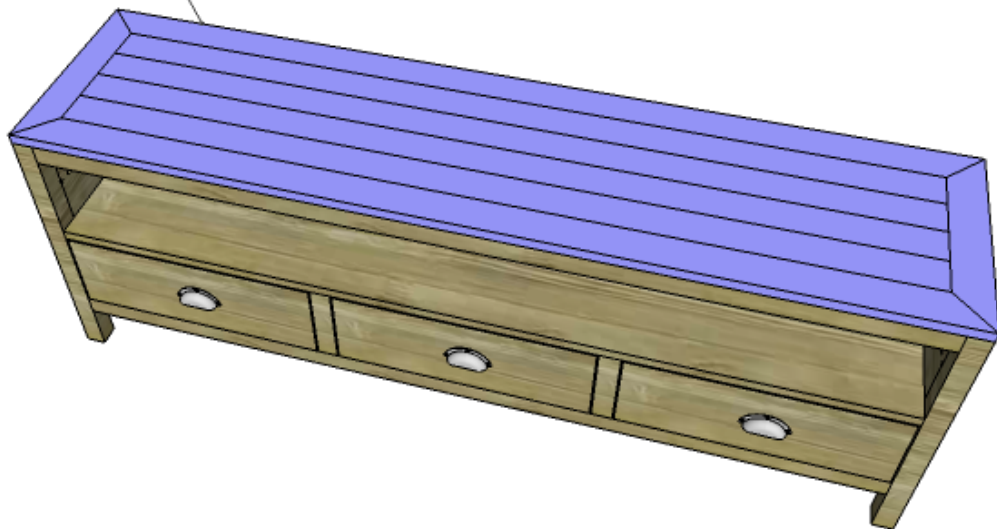
Cut the pieces for the top. Cut 45° miters in each end of the top frame pieces. Set the pocket hole jig for 3/4" material and drill pocket holes in the center boards as well as the mitered ends of the top side frame. Assemble the center panel using glue and 1-1/4" pocket hole screws.

Assemble the frame using glue and 1-1/4" pocket hole screws. Insert the top panel into the frame, then secure the panel to the frame using glue and 1-1/4" pocket hole screws.

Secure the top to the cabinet frame using glue and 2" brad nails.



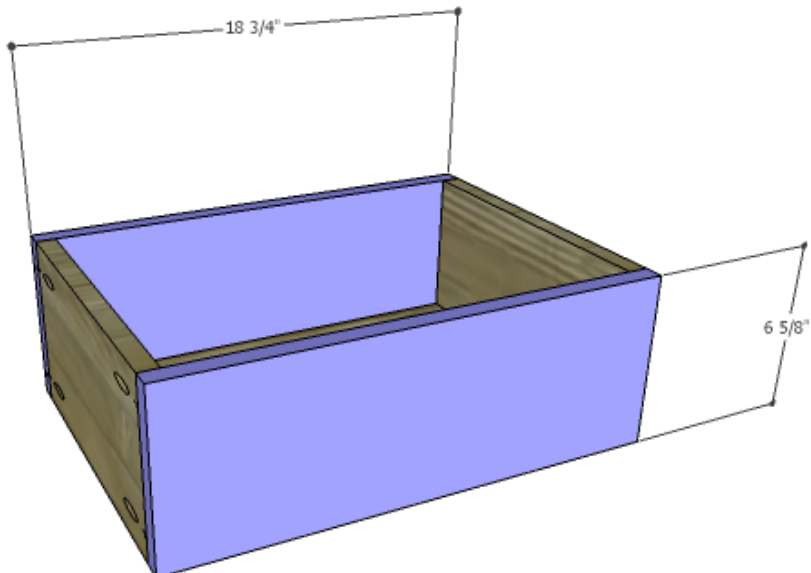
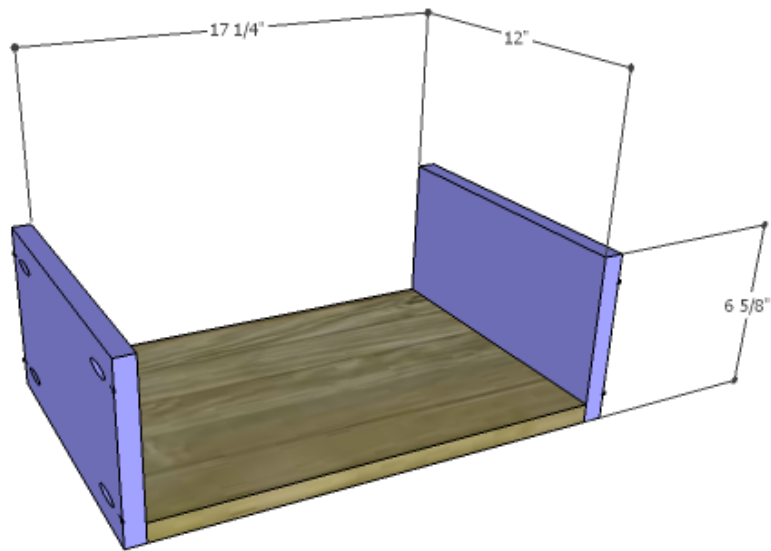
Secure top to frame using glue
and 2" brad nails

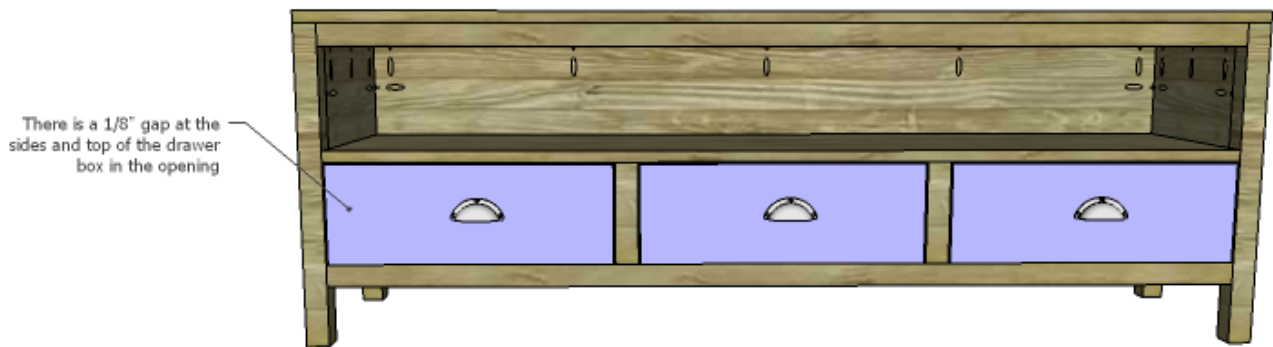


Step Seven

Cut the pieces for the drawer boxes. Drill pocket holes in all four edges of the bottom as well as each end of the sides. Assemble the drawer boxes as shown using glue and 1-1/4" pocket hole screws.

There will be a 1/8" gap at the sides and top of the drawers in the opening.





Finish as desired. Apply a coat of paste wax to the bottom of the drawers to help them slide smoothly in the openings.

I love this media console and since I am in the market for a new stand, I may add this one to the "to build" list. This is a plan that is also suitable for beginners. Have any questions about the DIY plans to build a Jamie Media Console? Leave a comment below or contact me at [cher {at} designsbystudio{dot} com](mailto:cher@designsbystudio.com)!