

A Demilune Console Table with Bracing Detail

DIY Plans to Build a Davidson Console Table

Bracing detail, like the “X” in the DIY plans to build a Davidson Console Table, is really popular in furniture. This detail adds a sort of rustic glamour to table legs and bookcases alike! The Davidson Console Table has a demilune shaped top with three Xs in the base frame giving this table tons of style!

build a
davidson
console
table



Materials:

- 1-1/4" pocket hole screws
- 2-1/2" pocket hole screws
- 1-1/4" brad nails

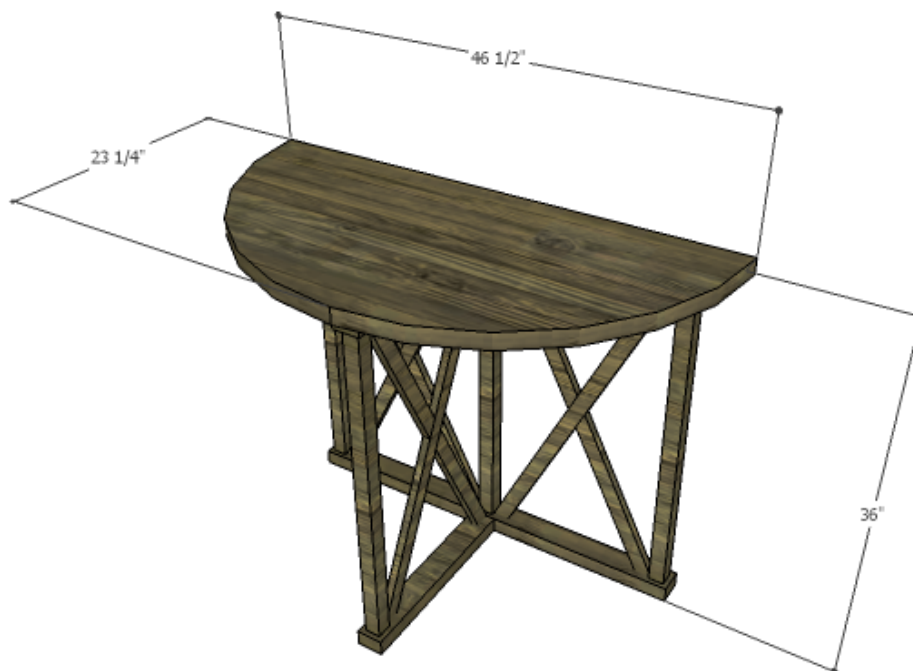
- 2-1/2" screws
- 2" Edge banding, optional
- Wood glue
- Sandpaper (100, 150, 220 grits)
- Finishing supplies (primer & paint, or stain, sealer)

Lumber:

- 3 – 1x2 at 6'
- 1 – 2x3 at 4'
- 1 – 2x3 at 8'
- 1 – 4' x 4' sheet of 3/4" plywood

Cut List:

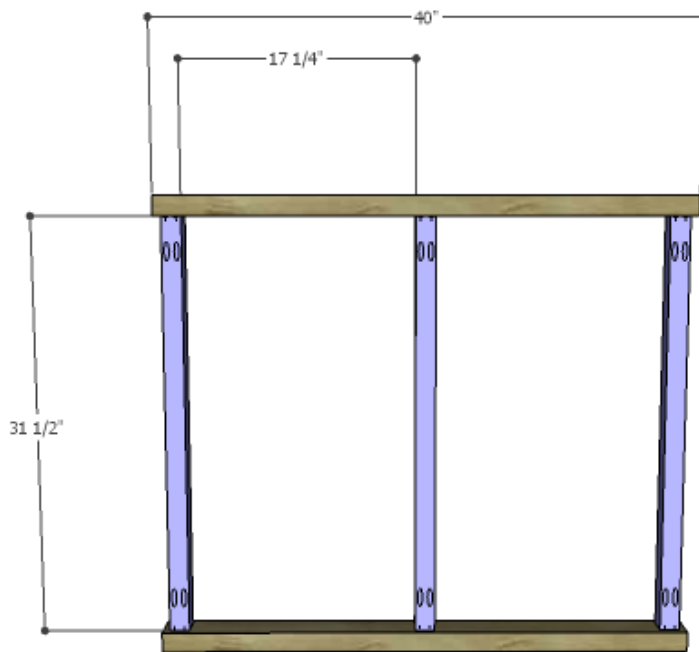
- 4 – 2x2 at 31-1/2" – Base Frame Legs
- 2 – 2x3 at 40" – Base Frame
- 2 – 2x3 at 19-1/4" – Base Frame Front
- 6 – 1x2 at 17-9/16" – X Bracing
- 3 – 1x2 at 35-7/8" – X Bracing
- 2 – 3/4" plywood at 23-1/4" x 46-1/2" – Top



Click on the drawings for a larger view!

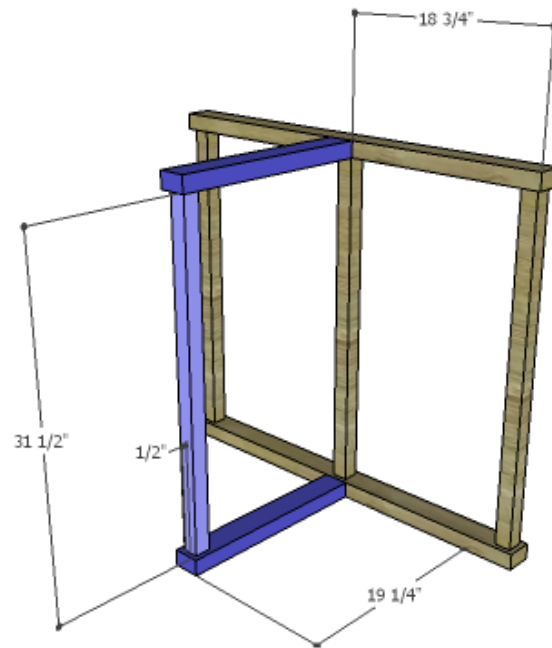
Step One

Cut the pieces for the base frame. With the pocket hole jig set for 1-1/2" material, drill pocket holes in each end of the 2x2 pieces. The legs will be centered on the framing pieces making them 1/2" away from each long edge. The outer legs will also be positioned 1/2" in from each side edge. Secure the legs in place using glue and 2-1/2" pocket hole screws.



Step Two

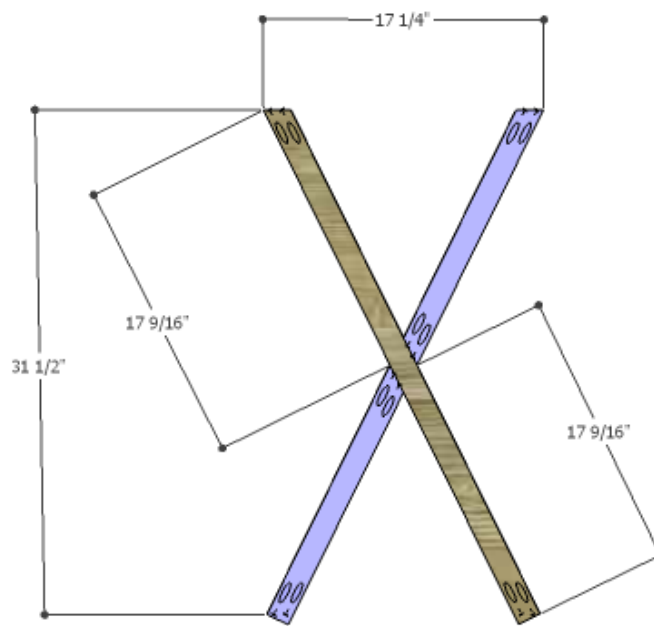
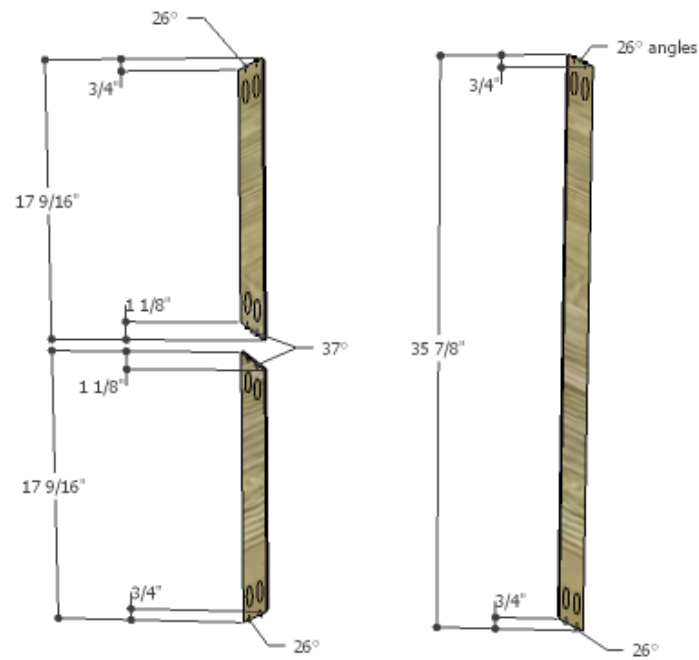
Cut the pieces for the base frame front. Drill pocket holes in one end of each of the 2x3 pieces. Secure the base frame front pieces to the longer base frame pieces as shown using glue and 2-1/2" pocket hole screws. Position the remaining leg between the base frame front pieces so that there is a 1/2" "border" around the leg. Secure in place using glue and 2-1/2" pocket hole screws.



Step Three

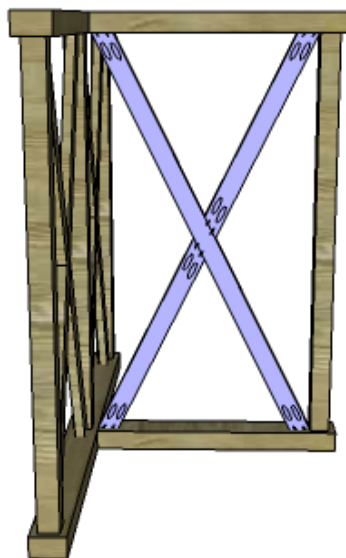
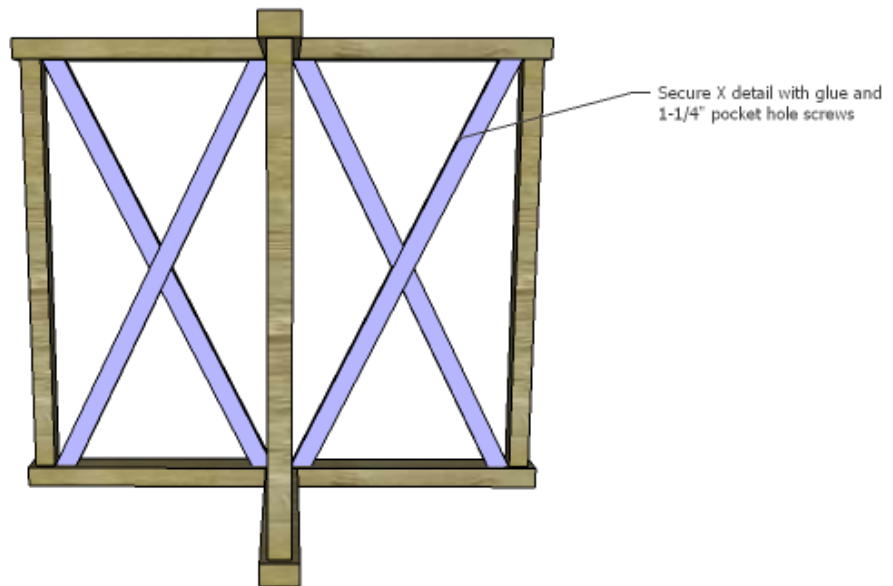
Cut the pieces for the X bracing. Cut the pieces to length, then cut the angles. The angles in each end of the longer pieces are 26° . The angles in one end of the shorter pieces is 26° while the angle in the other end is 37° .

Set the pocket hole jig for $3/4$ " material and drill pocket holes in each end of each piece as shown. Assemble the X braces using glue and $1-1/4$ " pocket hole screws.



Step Four

Insert the bracing into the base frame. Secure the bracing so that it is centered on the legs ($3/8$ " in from each side) using glue and $1-1/4$ " pocket hole screws.



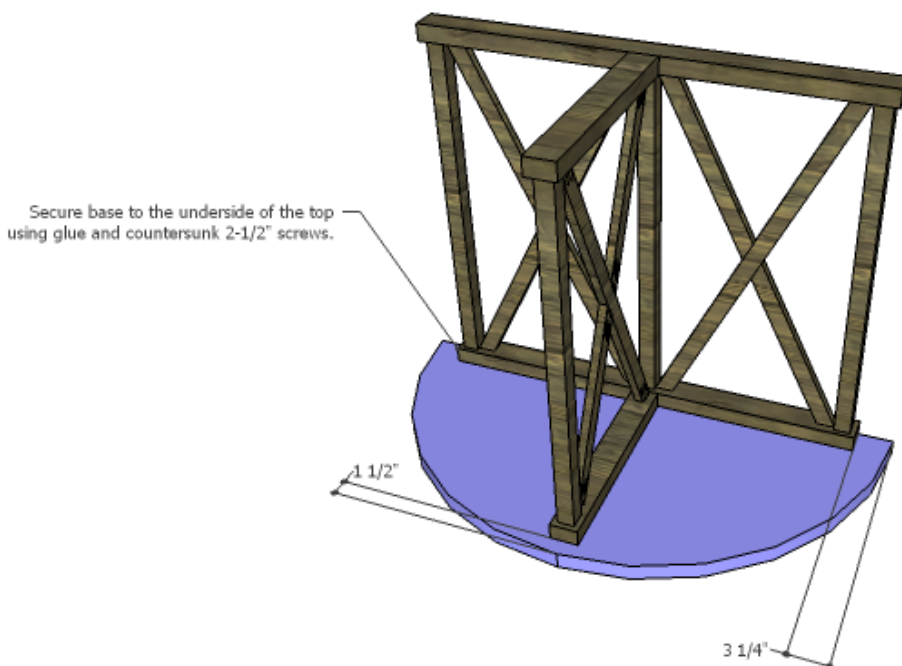
Step Five

Cut the pieces for the top. The top is constructed of two pieces of plywood, laminated together, with wide edge banding covering the edges. Cut the pieces to size, then spread glue on the face of one piece. Position the other piece on top, wiggling it to create suction. Secure the pieces to each other using 1-1/4" brad nails.

Cut the demilune shape using a jigsaw or a bandsaw. The radius

of the arc is 23-1/4".

Lay the top on a flat surface, then position the base frame on top of it. The base frame will be positioned 3-1/4" in from each side of the top, and the frame will be flush with the back. Secure the base frame to the underside of the top using glue and countersunk 2-1/2" screws.



Finish as desired.

This console table would make a welcome addition to any room – the dining room, entryway, or even behind a sofa. The angles in the X bracing may seem intimidating but they are not... This table is one of those projects that can be completed easily and quickly! Have any questions about the DIY plans to build a Davidson Console Table? Leave a comment below!