

Build a Storage Ottoman on Casters

Free Plans to Build a Storage Ottoman on Casters

This is the perfect project for that urge to build something... The free plans to build a storage ottoman on casters are quick, cheap, and the ottoman is definitely useful! Who couldn't use extra storage *and* a place to prop your feet? Plus it is a great way to use up a few scraps laying around!

BUILD A STORAGE OTTOMAN ON CASTERS



Materials:

- [1-1/4" brad nails](#)
- [1-1/2" casters with screws](#)
- Finishing supplies

Lumber:

- Scrap pieces of plywood or MDF OR
- One – 2' x 4' sheet of plywood
- One – 2' x 2' sheet of plywood

Cut List:

- 2 – 3/4" plywood circles – 18" in diameter – Top & Bottom
- 2 – 3/4" plywood at 11" x 17-3/4" – Dividers

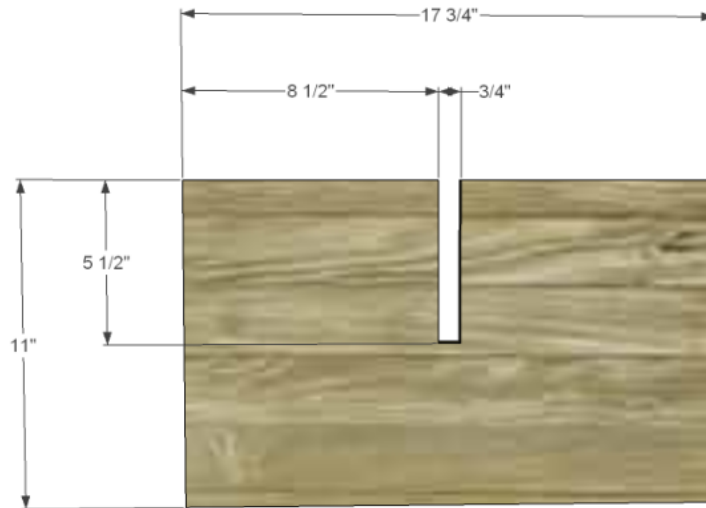


Click on the drawings for a larger view!

Step One

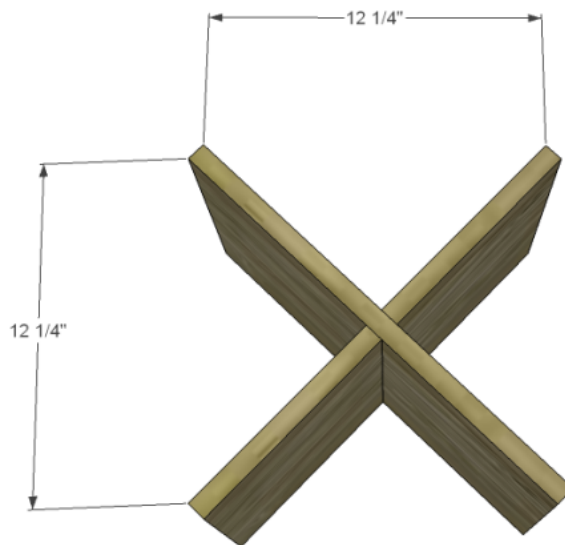
Draw out the circles on the plywood. There are many ways to do this but I prefer the “string, thumbtack & pencil” method. Cut out using a jigsaw or saw of your choice. I cut mine on the bandsaw since I just learned how to use it! You could also [build a jig for the bandsaw](#) and cut the circles that way.

Cut the pieces for the dividers. Cut the notches as shown using the saw of your choice. Sand all of the pieces thoroughly.



Step Two

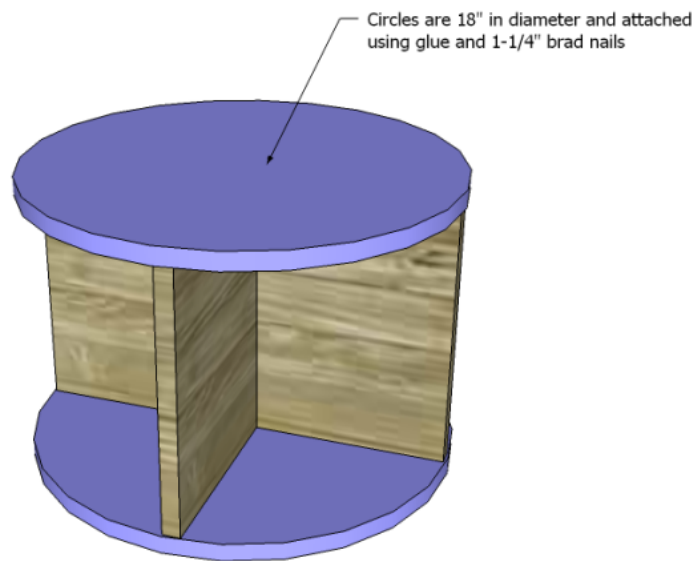
Assemble the dividers, then position the top and bottom. Attach to the dividers using glue and 1-1/4" brad nails.



Step Three

Attach the circles (the top and bottom) to the dividers using

glue and 1-1/4" brad nails.



Finish as desired, then attach the casters to the bottom using 3/4" screws. Prop up your feet and relax!!

I used 3/4" MDF to make an ottoman like this and love it! the top can also be upholstered to make it more comfortable for your feet. This ottoman is also a great piece of extra seating! Have any questions about the free plans to build a storage ottoman on casters? Leave a comment below or contact me at [cher {at} designsbystudioc {dot} com](mailto:cher@designsbystudioc.com).