

# An Easy to Build Table with So Many Uses

## DIY Plans to Build a Versatile Table

This table is one of those pieces that can be used in a variety of rooms in many ways. The DIY plans to build a Versatile Table feature a roomy top with a lower shelf that sit on frames attached to 1x3 sides. This is the perfect plan for those new to woodworking!



build a  
versatile table

DESIGN BY  
STUDIO C

### Materials:

- 1-1/4" pocket hole screws
- 1-1/4" screws
- 1-1/4" brad nails
- Edge banding, optional
- Wood glue

- Sandpaper (100, 150, 220 grits)
- Finishing supplies (primer & paint, or stain, sealer)

## Lumber:

- 5 – 1×3 at 8'
- 1 – 4' x 8' sheet of 3/4" plywood

## Cut List:

- 4 – 1×3 at 25" – Sides
- 4 – 1×3 at 15-1/4" – Sides
- 4 – 1×3 at 32" – Frame Stretchers
- 4 – 1×3 at 17-3/4" – Frame Sides
- 2 – 3/4" plywood at 19-1/4" x 32" – Top & Shelf

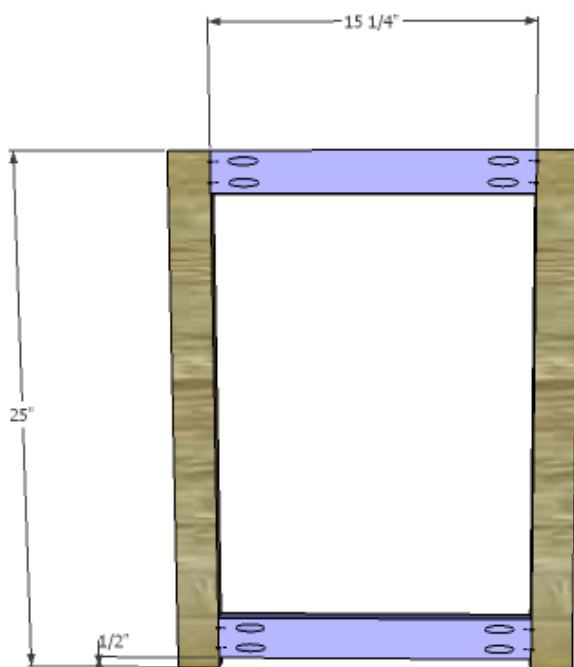


*Click on the drawings for a larger view!*

## Step One

Cut the pieces for the sides. With the pocket hole jig set for 3/4" material, drill pocket holes in each end of the shorter pieces. Secure the shorter pieces to the leg pieces using glue

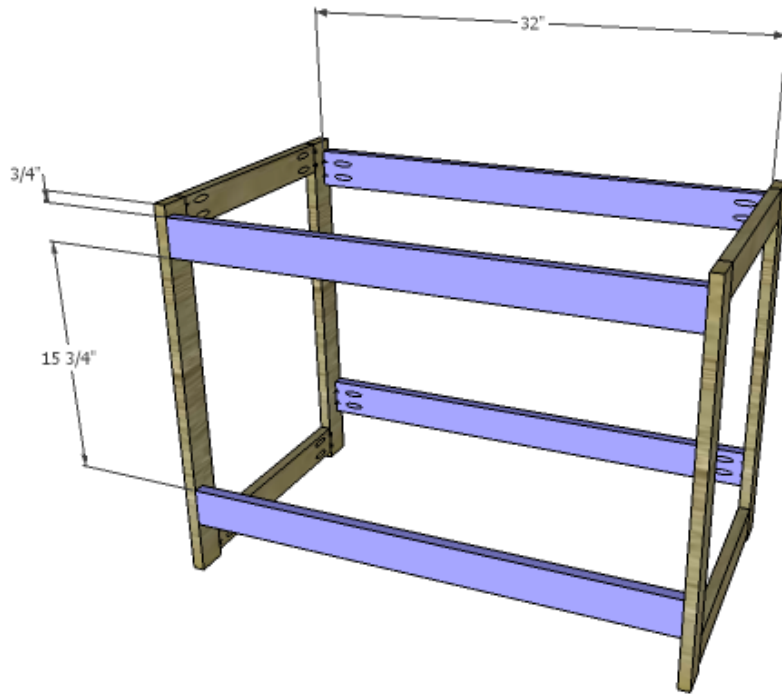
and 1-1/4" pocket hole screws. Note that the top piece is flush with the top of the legs while the lower piece is positioned 3/4" up from the bottom of the leg.



DESIGNS BY  
STUDIO C

## Step Two

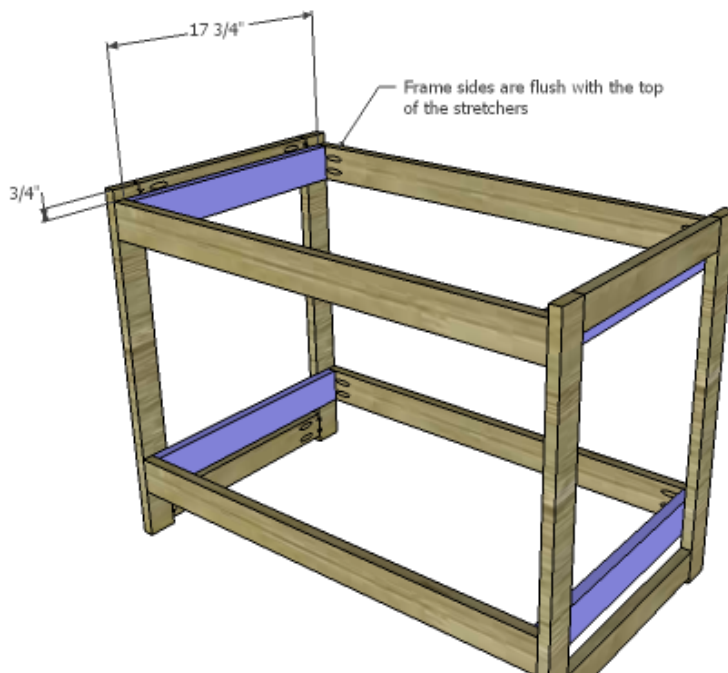
Cut the pieces for the frame stretchers and drill pocket holes in each end. Secure the stretchers to the sides using glue and 1-1/4" pocket hole screws. The stretchers will be positioned 3/4" below the top edge of the sides, and will be flush with the outside edges of the sides.



DESIGNS BY  
**STUDIO C**

## Step Three

Cut the pieces for the frame sides. Secure the frame sides to the legs using glue and countersunk 1-1/4" screws. The top edge of the frame sides will be flush with the top edge of the stretchers.

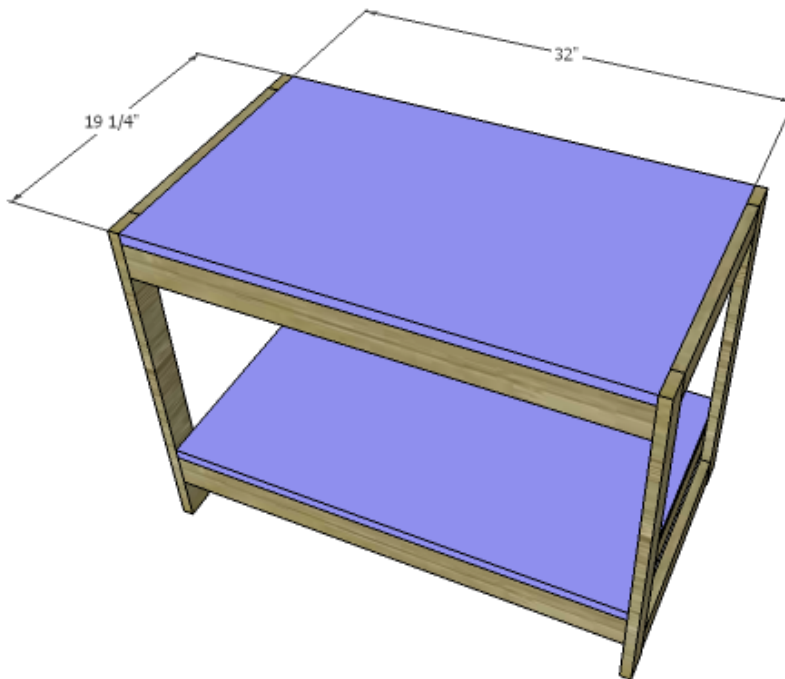


DESIGNS BY  
**STUDIO C**

## Step Four

Edge banding will be applied to the exposed edges of the plywood prior to assembly.

Cut the pieces for the top and the shelf. Secure the top and shelf to the frames inside the sides using glue and 1-1/4" brad nails.



DESIGNS BY  
**STUDIO C**

Finish as desired.

This table can be used in an entryway as a catch-all table, in a dining room, or even as a media stand for a small television. Have any questions about the DIY plans to build a Versatile Table? Leave a comment below!