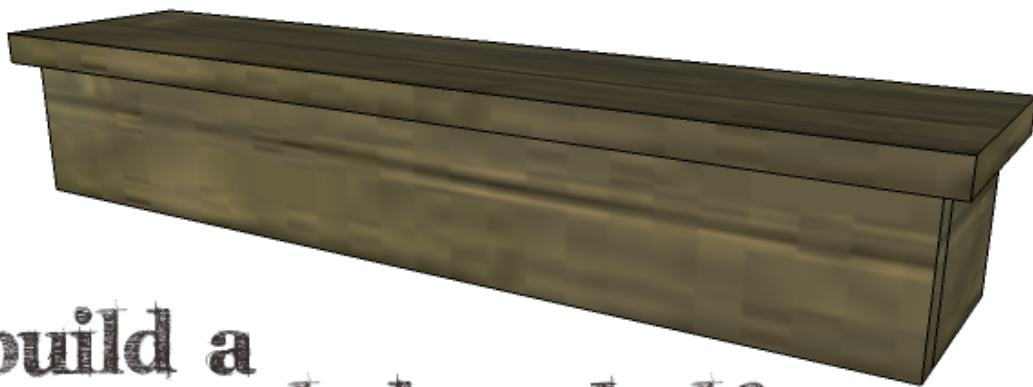


A Super-Simple to Build Ledge Shelf

DIY Plans to Build a Square Ledge Shelf

I will admit it... I love shelving – both building it and using it! Shelves are some of the easiest pieces to build and the DIY plans to build a Square Ledge Shelf are no different! The shelves feature a box frame, a flat top, and hang on the wall with a cleat! Trust me, it doesn't get any quicker or easier! Plus, the plans are easy to customize for a longer or shorter shelf!



**build a
square ledge shelf**

DESIGNS BY
STUDIO C

Materials:

- 1-1/4" brad nails
- 1-1/2" screws
- 2-1/2" screws

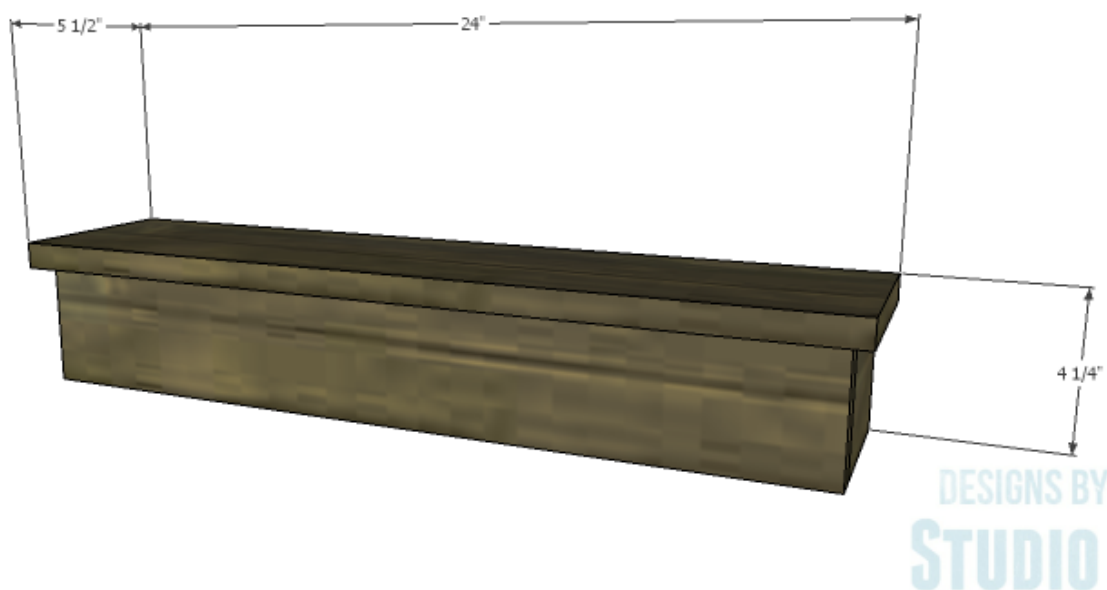
- Wood glue
- Sandpaper (100, 150, 220 grits)
- Finishing supplies (primer & paint, or stain, sealer)

Lumber:

- 1 – 1×2 at 2′
- 1 – 1×4 at 4′
- 1 – 1×6 at 2′

Cut List:

- 2 – 1×4 at 4-1/4" – Box Frame Sides
- 1 – 1×4 at 23" – Box Frame Front
- 1 – 1×6 at 24" – Top
- 1 – 1×2 at 21-1/4" – Cleat

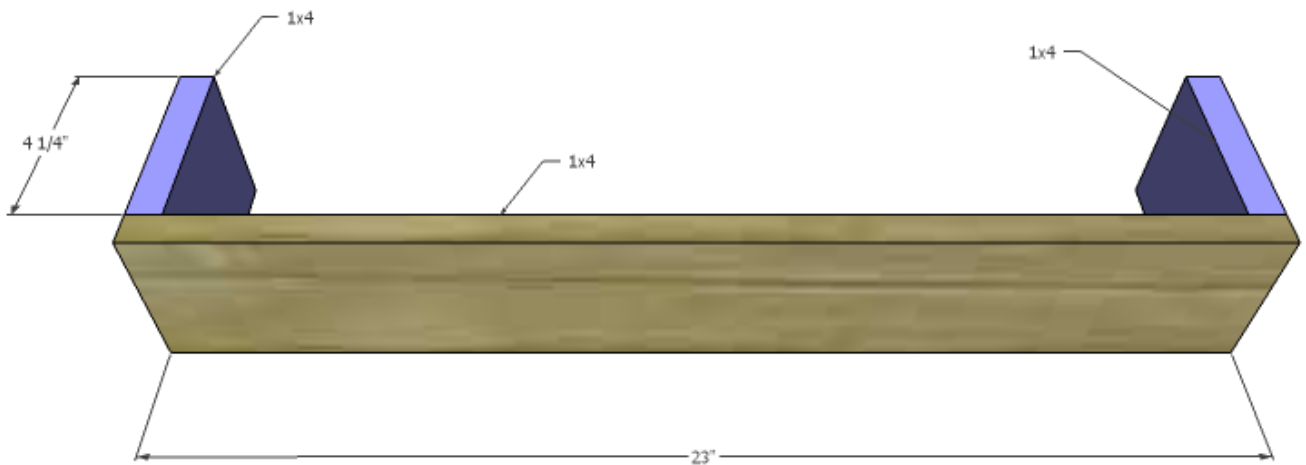


Click on the drawings for a larger view!

Step One

Cut the pieces for the box frame sides and the box frame front. Secure the sides to the front using glue and 1-1/4"

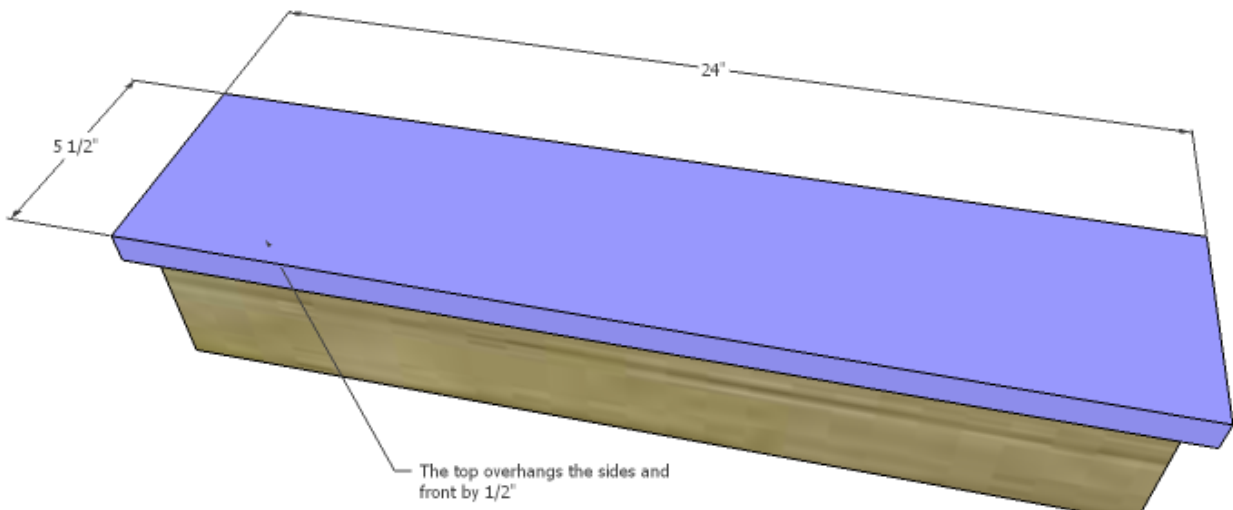
brad nails.



DESIGNS BY
STUDIO C

Step Two

Cut the piece for the top. The top will overhang by 1/2" at the sides and front, and will be flush with the back edge of the sides. Secure in place using glue and 1-1/4" brad nails.

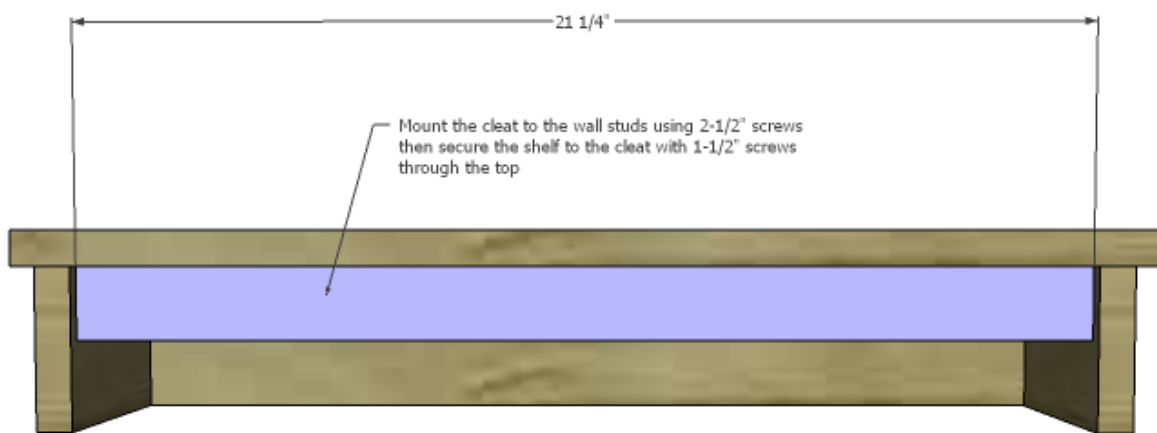


DESIGNS BY
STUDIO C

Finish as desired.

Step Three

Cut the piece for the cleat to length. Secure the cleat to the wall studs, where the shelf will be hung, using 2-1/2" screws. Position the shelf on top of the cleat and secure in place with 1-1/2" screws through the top into the top edge of the cleat.



DESIGNS BY
STUDIO C

The DIY plans to build a Square Ledge Shelf are perfect for those new to woodworking as it uses straight off-the-shelf lumber to create. The shelf is an excellent piece for any room and will certainly fit in with any decor whether painted, stained, stenciled or distressed! Have any questions about the shelving plans? Leave a comment below!