

# A Simple Coffee Table to Build – with Storage!

## DIY Plans to Build a Morgan Coffee Table with a Drawer

Need a coffee table that is quick and easy to build? The DIY plans to build a Morgan coffee table feature a large and roomy drawer to hide media remotes, coaster, magazines, and a few snacks! The coffee table is inexpensive to build and can be finished however you choose...

### build a morgan coffee table



### Materials:

- 1-1/4" pocket hole screws
- 1-1/4" brad nails
- 1 set of 24" drawer slides
- 1 – cabinet pull

- Wood glue
- Sandpaper (100, 150, 220 grits)
- Finishing supplies (primer & paint, or stain, sealer)

## Lumber:

- Scrap 1×3 at 21-1/2"
- 2 – 1×2 at 6'
- 1 – 1×6 at 8'
- 2 – 1×8 at 8'
- 1 – 2×2 at 6'
- 1 – 2' x 2' sheet of 3/4" plywood
- 1 – 2' x 4' sheet of plywood

## Cut List:

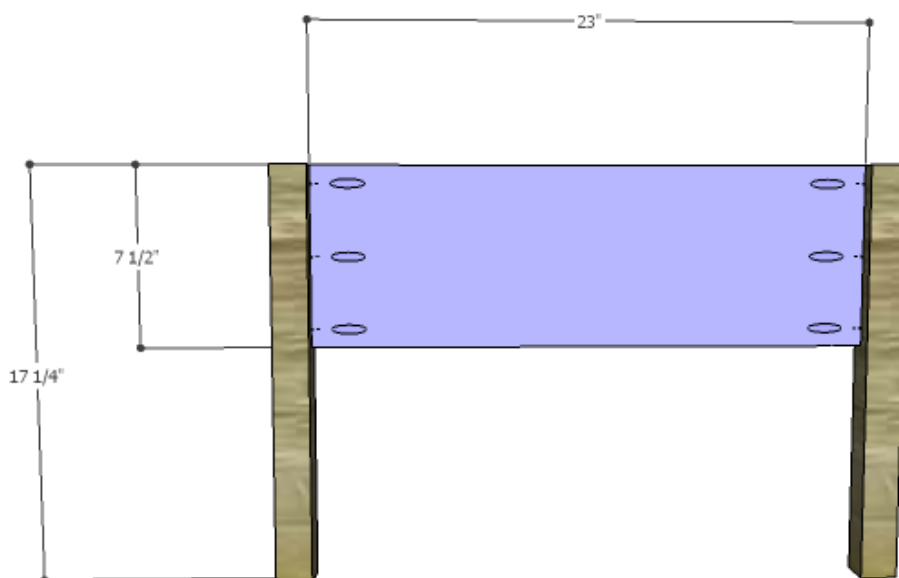
- 4 – 2×2 at 17-1/4" – Legs
- 2 – 1×8 at 23" – Side Aprons
- 1 – 1×8 at 43" – Back Apron
- 2 – 1×8 at 10-3/4" – Front Aprons
- 2 – 1×8 at 24-1/2" – Drawer Supports
- 1 – 1×3 at 21-1/2" – Stretcher
- 1 – 3/4" plywood at 23" x 43" – Top Panel
- 2 – 1×2 at 23" – Top Side Trim
- 2 – 1×2 at 46" – Top Front & Back Trim
- 1 – 3/4" plywood at 19" x 22-1/2" – Drawer Box Bottom
- 2 – 1×6 at 22-1/2" – Drawer Box Sides
- 2 – 1×6 at 20-1/2" – Drawer Box Front & Back
- 1 – 1×8 (ripped to 7-3/8" wide) at 21-1/4" – Drawer Front



*Click on the drawings for a larger view!*

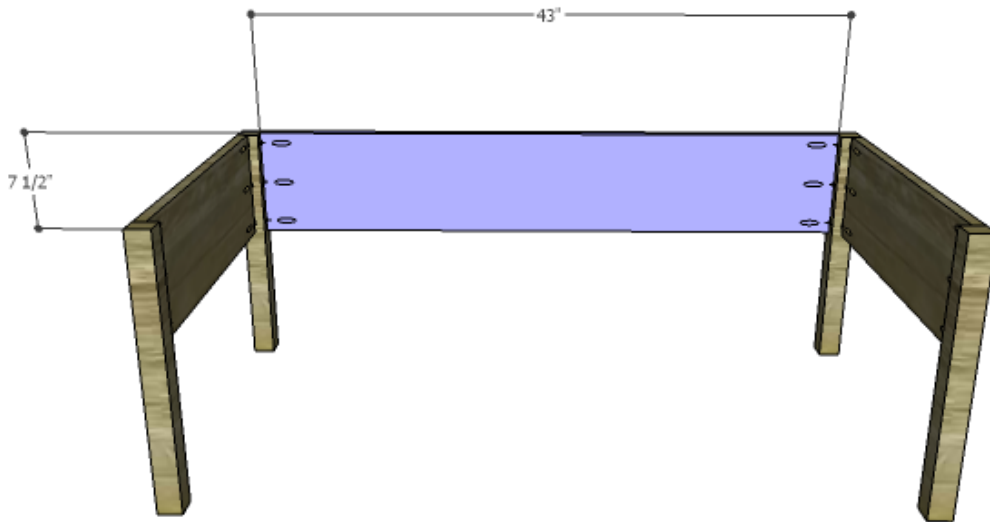
## Step One

Cut the pieces for the legs and the side aprons. With the pocket hole jig set for 3/4" material, drill pocket holes in each end of the side aprons. Secure the aprons to the legs using glue and 1-1/4" pocket hole screws. The outside face of the aprons will be flush with the outside faces of the legs.



## Step Two

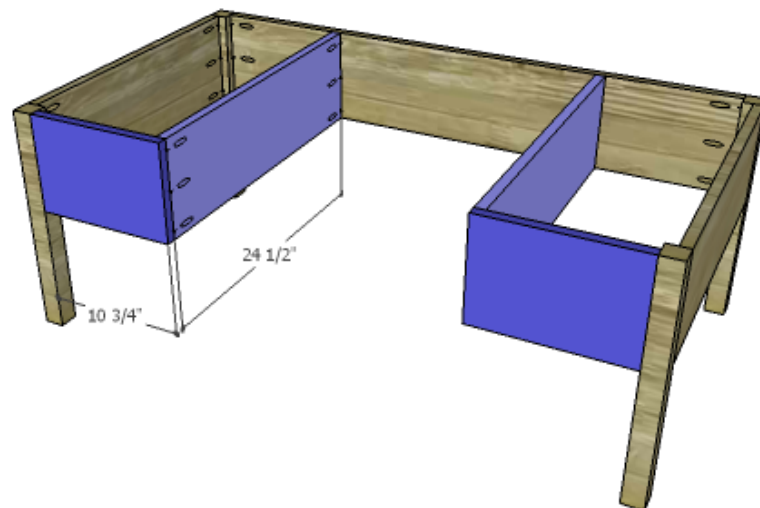
Cut the piece for the back apron and drill pocket holes in each end. Secure the apron to the legs using glue and 1-1/4" pocket hole screws.



## Step Three

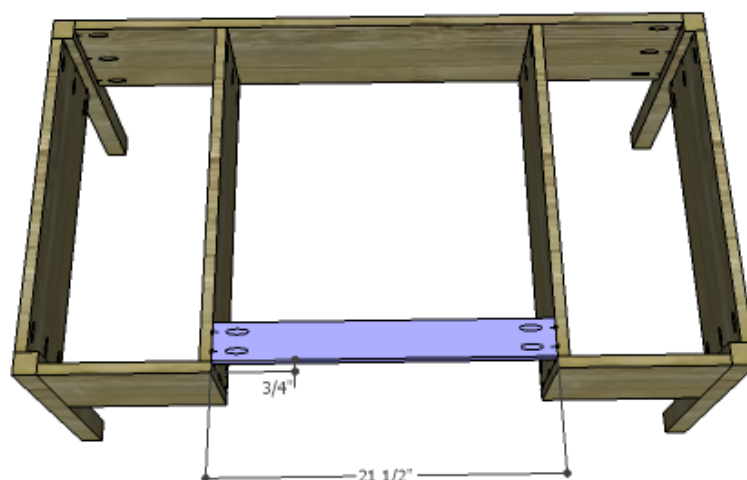
Cut the pieces for the front aprons and the drawer supports. Drill pocket holes in one end of each of the apron pieces as well as each end of the support pieces. Secure the apron pieces to the legs using glue and 1-1/4" pocket hole screws. The front face of the apron will be flush with the front face of the legs.

Secure the drawer supports to the front aprons and the back apron using glue and 1-1/4" pocket hole screws.



## Step Four

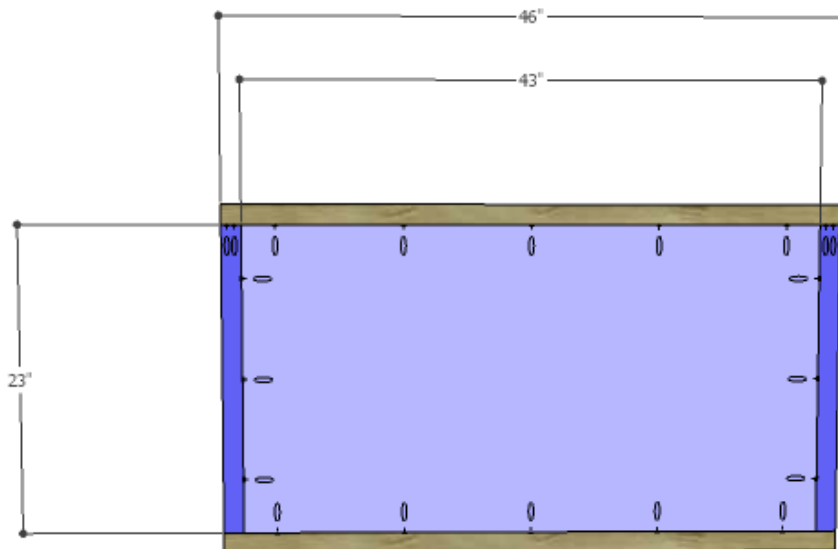
Cut the piece for the stretcher and drill pocket holes in each end. Secure the stretcher to the top edge of the drawer supports (locating the piece  $\frac{3}{4}$ " back from the front face of the front aprons) using glue and  $1\text{-}\frac{1}{4}$ " pocket hole screws. This piece keeps the front of the table frame at the same width as the back.



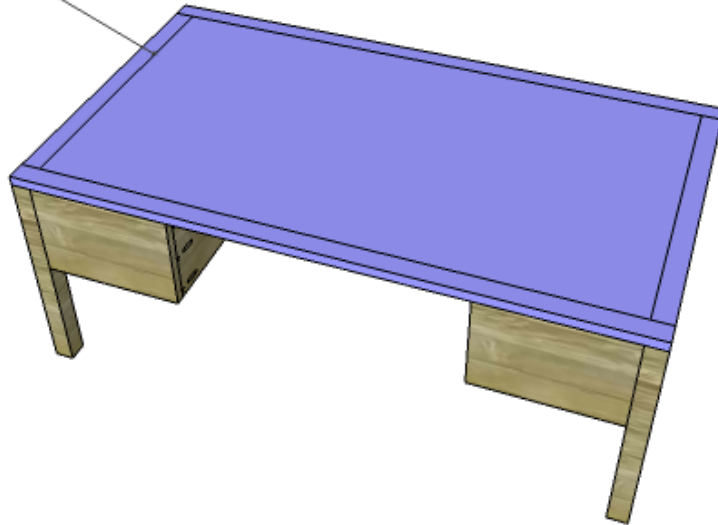
## Step Five

Cut the pieces for the top and the top trim. Drill pocket holes in all four edges of the panel as well as each end of the side trim pieces. Attach the side trim pieces to the top as shown using glue and 1-1/4" pocket hole screws, then attach the front and back trim pieces.

Position the top on the table frame. The edges will be flush all the way around. Secure the top in place using glue and 1-1/4" brad nails through the top into the aprons, legs, and drawer supports.

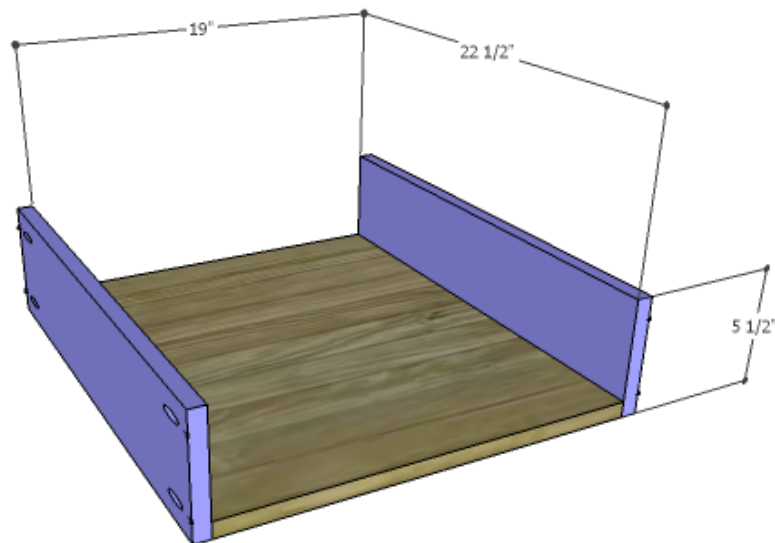


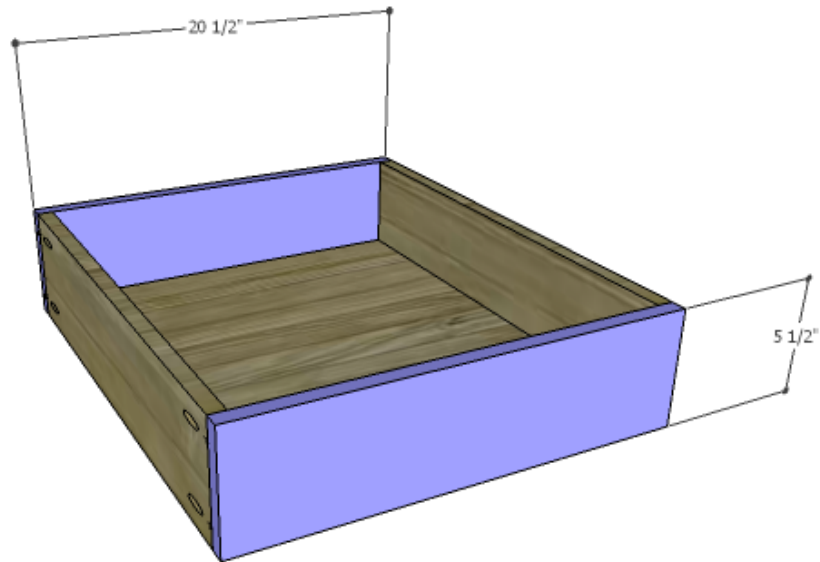
Secure top using glue and  
1-1/4" brad nails



## Step Six

Cut the pieces for the drawer boxes. Drill pocket holes in all four edges of the bottom as well as each end of the sides. Assemble the drawer boxes as shown using glue and 1-1/4" pocket hole screws. Install the drawer slides according to the manufacturer's installation instructions, locating them  $\frac{3}{4}$ " back from the front edge of the front aprons. For an easy tutorial, [click here](#). Make any necessary adjustments.

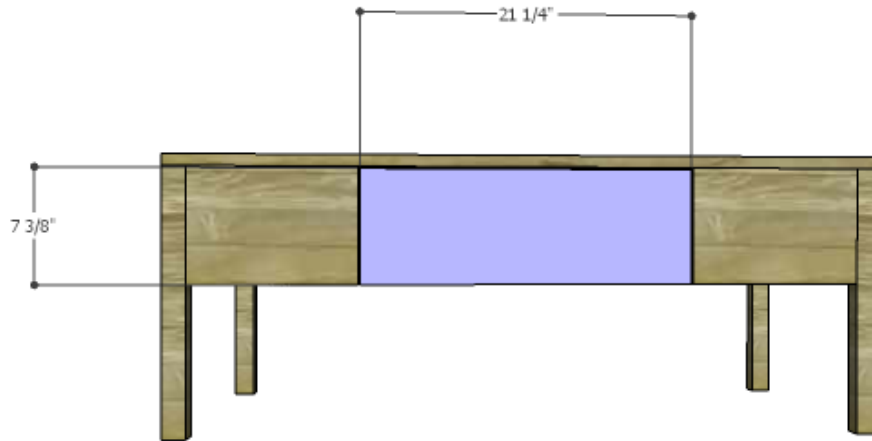




## Step Seven

Cut the piece for the drawer front. The drawer front will have a 1/8" gap at the sides and top of the opening. Mark the position for the drawer pulls and drill the holes. Shim the drawer front in the opening (if possible) then drive screws through the holes for the drawer pulls into the drawer box. Open the drawer, and secure the drawer front using countersunk 1-1/4" screws from the inside. Remove the screws from the holes for the drawer pull then finish drilling the holes. Install the drawer pull. For an easy tutorial on installing drawer fronts, [click here](#).





Finish as desired.

The DIY plans to build a Morgan coffee table are the perfect plans for a beginner – they are easy and very straightforward! As always, if there are any questions about the plans, leave a comment below or contact me at [cher {at} designsbystudio {dot} com](mailto:cher@designsbystudio.com)!