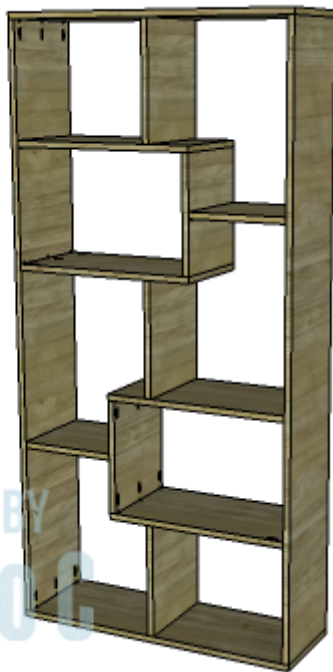


[Build a Massima Bookcase](#)

A Super-Easy Modern Bookcase – DIY Plans to Build a Massima Bookcase

I built a bookcase similar to this one for myself many years ago. It was actually one of my first woodworking projects and I still have it! I used 1×6 lumber and painted it a bright turquoise. The DIY plans for a Massima bookcase use 1×12 lumber but really any width can be used and the same directions will apply. It is a very easy build and can be completed in a couple of hours. In fact, it will probably take longer to prime and paint (or stain and seal) than it will to build!

build a
massima
bookcase



DESIGNS BY
STUDIO C

The bookcase can be assembled with pocket holes and 1-1/4" pocket hole screws or 2-1/2" countersunk screws. The finishing will go much easier if the pieces are sanded prior to assembly!

Materials:

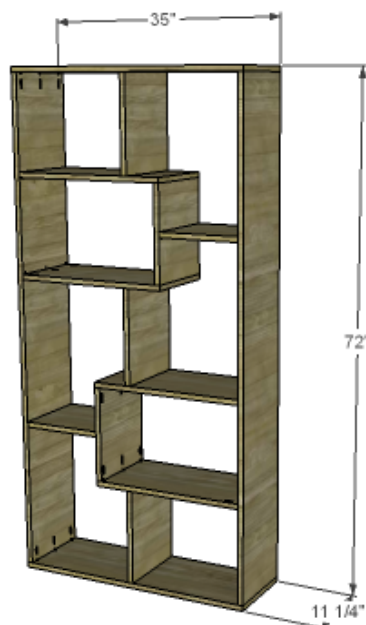
- 1-1/4" pocket hole screws or 2-1/2" screws
- Wood glue
- Sandpaper (100, 150, 220 grits)
- Finishing supplies (primer & paint, or stain, sealer)

Lumber:

- 2 – 1×12 at 6'
- 3 – 1×12 at 8'

Cut List:

- 2 – 1×12 at 35" – Base Frame
- 2 – 1×12 at 70-1/2" – Base Frame
- 4 – 1×12 at 22" – Cubbies
- 2 – 1×12 at 13-1/2" – Cubbies
- 2 – 1×12 at 11-1/2" – Dividers
- 3 – 1×12 at 13-1/2" – Dividers

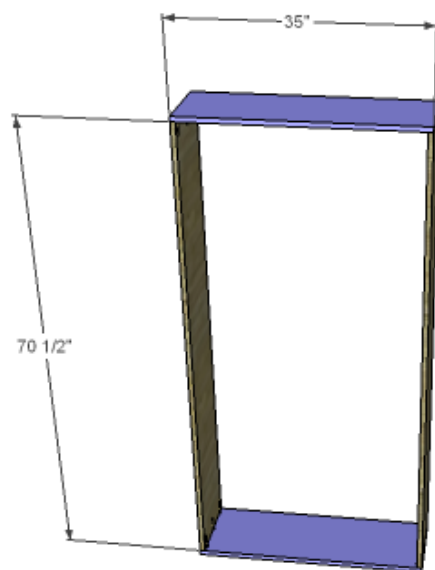


Click on the drawings for a larger view!

Step One

Cut the pieces for the base frame. If using the pocket hole method, set the pocket hole jig for 3/4" material and drill pocket holes in each end of the longer pieces. Assemble the frame using glue and 1-1/4" pocket hole screws.

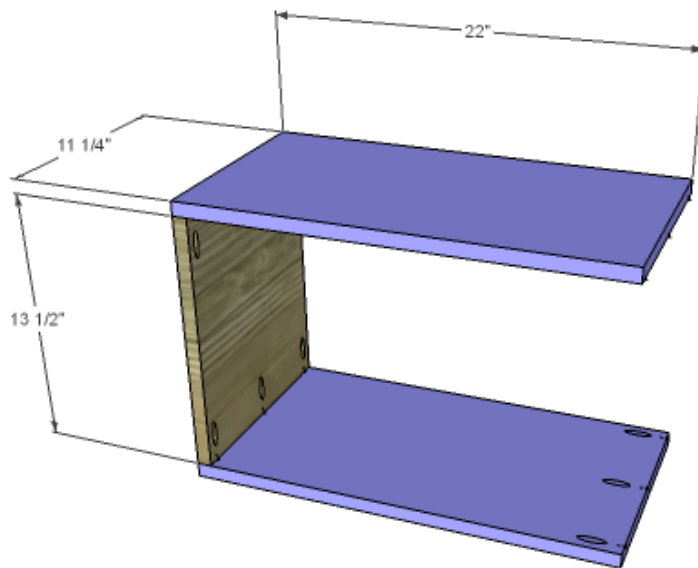
If using the countersunk screw method, drill countersunk holes in the ends of the shorter pieces. Assemble the frames using glue and 2-1/2" screws.



Step Two

Cut the pieces for the cubbies. If using the pocket hole method, drill pocket holes in each end of the shorter pieces as well as one end of the longer pieces (to attach the cubbies to the frame). Assemble the cubbies as shown using glue and 1-1/4" pocket hole screws.

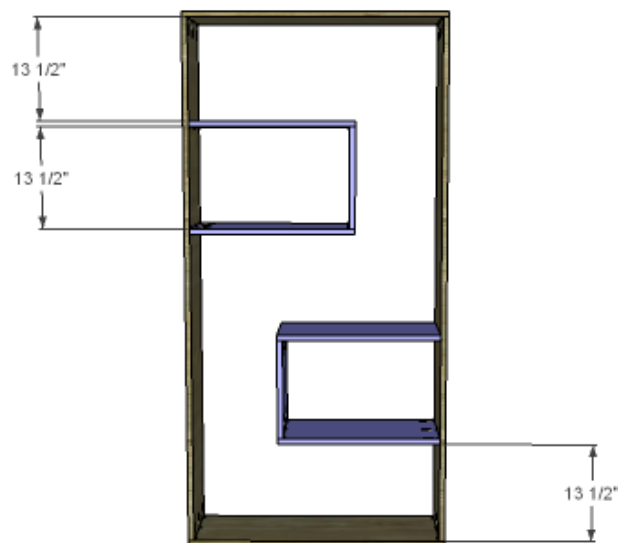
If using the countersunk screw method, drill countersunk holes in one end of each of the longer pieces. Assemble the cubbies using glue and 2-1/2" screws.



Step Three

Attach the cubbies to the base frame. If using the pocket hole method, position the cubbies as shown securing in place using glue and 1-1/4" pocket hole screws.

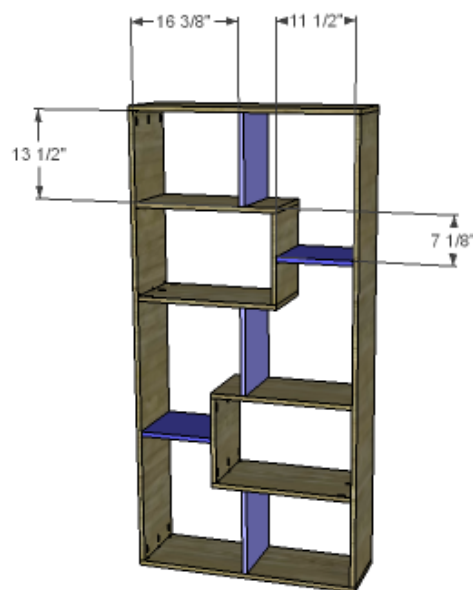
If using the countersunk screw method, drill countersunk holes on the outside of the frame where the cubbies will be positioned. Attach the cubbies to the frame using glue and 2-1/2" screws.



Step Four

Cut the pieces for the dividers. If using the pocket hole method, drill pocket holes in each end of the pieces. Attach the dividers to the cubbies and the frame as shown using glue and 1-1/4" pocket hole screws.

If using the countersunk screw method, drill countersunk holes in the cubbies and frame according to the dimensions in the drawing. Secure the dividers using glue and 2-1/2" screws.



Finish as desired.

As mentioned, any 1x material can be used to fit any space. Creating the bookcase using 1x2 lumber then mounting it to the wall would make an awesome frame for photos or art! Have any questions or comments about the DIY plans to build a Massima bookcase? Leave a comment below or contact me at [cher {at} designsbystudioc {dot} com](mailto:cher@designsbystudioc.com).