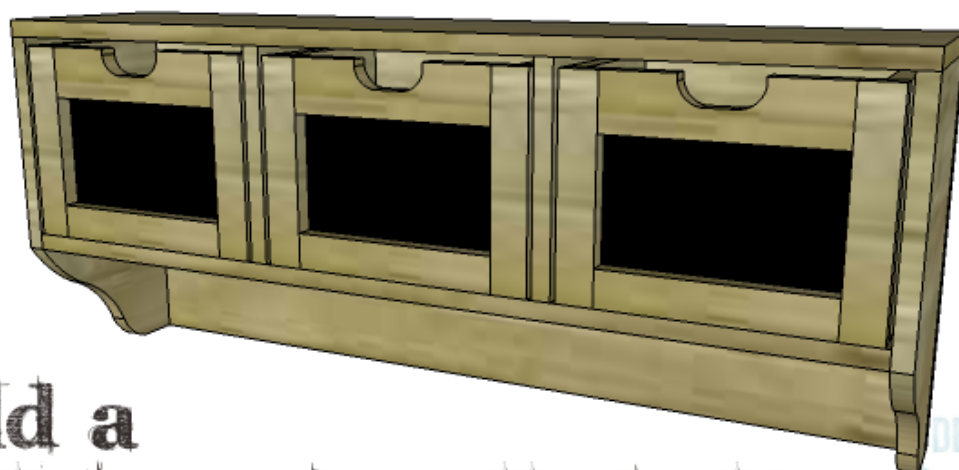


A Fabulous Piece of Wall Storage

DIY Plans to Build a Chalkboard Wall Shelf

This is a great piece for organizing an entryway or mudroom... The DIY plans to build a Chalkboard Wall Shelf feature three drawers with chalkboard center panels, curved sides and space below the bottom to add hooks. This shelf would also be a great way to hang pet leashes with toys and treats stored in the drawers! This is a super-easy build using brad nails as the fasteners, and can be completed in a weekend!



**build a
chalkboard wall shelf**

DESIGNS BY
STUDIO C

Materials:

- 1-1/2" brad nails (with a pneumatic nailer) OR
- 2" nails and a nailset with hammer
- 1/2" brad nails

- Wood glue
- Sandpaper (100, 150, 220 grits)
- Finishing supplies (primer & paint, or stain, sealer)
- Paste wax

Lumber:

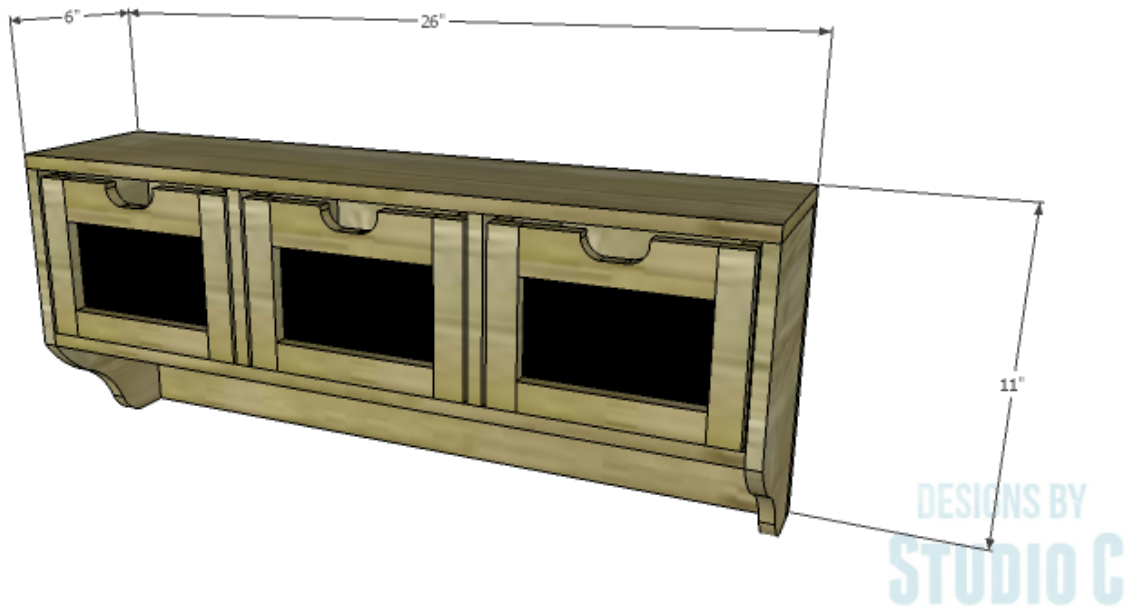
- 1 – 1×6 at 6′
- 1 – 1×8 at 4′
- 1 – 1×12 at 4′
- 2 – 1″ wide pine craft boards, 1/2″ thick (usually sold in 3′ or 4′ lengths)
- 1 – 1-1/2″ wide pine craft boards, 1/2″ thick (usually sold in 3′ or 4′ lengths)
- 1 – 5-1/2″ wide pine craft boards, 1/2″ thick (usually sold in 3′ or 4′ lengths)
- 1 – 7-1/2″ wide pine craft boards, 1/2″ thick (usually sold in 3′ or 4′ lengths)
- 1 – 1/4″ chalkboard panel (usually sold in 2′ x 4′ sheets)

Cut List:

- 2 – 1×6 at 10-3/4″ – Sides
- 1 – 1×12 (ripped to 10-3/4″ wide) at 27″ – Back
- 1 – 1×6 at 25-1/2″ – Bottom
- 2 – 1×6 at 6″ – Dividers
- 1 – 1×8 (ripped to 6-1/4″ wide) at 27″ – Top
- 6 – 1/2″ x 5-1/2″ wide pine craft boards (ripped to 4-1/2″ wide) at 5-3/4″ – Drawer Sides
- 3 – 1/2″ x 5-1/2″ wide pine craft boards (ripped to 4-1/2″ wide) at 6-3/4″ – Drawer Bottom
- 3 – 1/2″ x 1-1/2″ wide pine craft boards at 5-3/4″ – Drawer Front (top)
- 3 – 1/2″ x 1″ wide pine craft boards at 5-3/4″ – Drawer Front (bottom)
- 6 – 1/2″ x 1″ wide pine craft boards at 5-3/4″ – Drawer

Front (sides)

- 3 – 1/4" chalkboard panels at 3-3/4" x 6-1/4" – Drawer Front Panels
- 3 – 1/2" x 7-1/2" wide pine craft boards (ripped to 5-3/4" wide) at 7-3/4" – Drawer Back



Click on the drawings for a larger view!

Step One

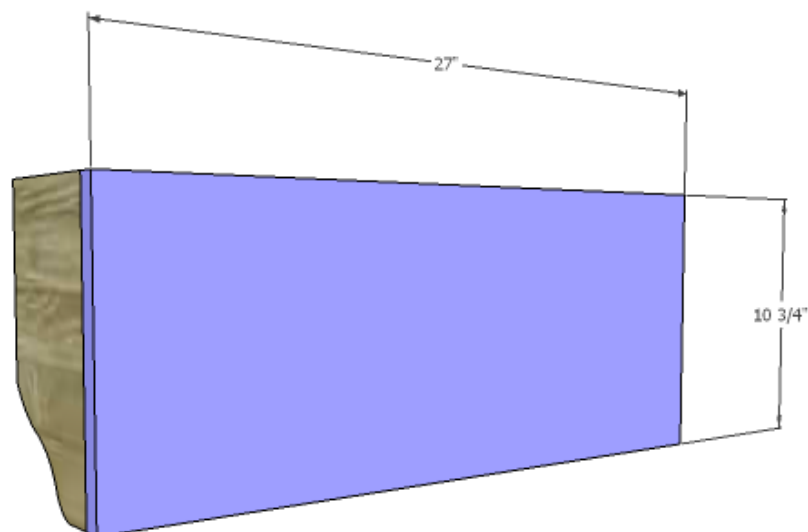
Print the [templates for the sides](#). Align the registration marks and tape the pieces together. Cut the pieces for the sides and trace the template on the pieces. Cut the sides using a jigsaw or a bandsaw.



DESIGNS BY
STUDIO C

Step Two

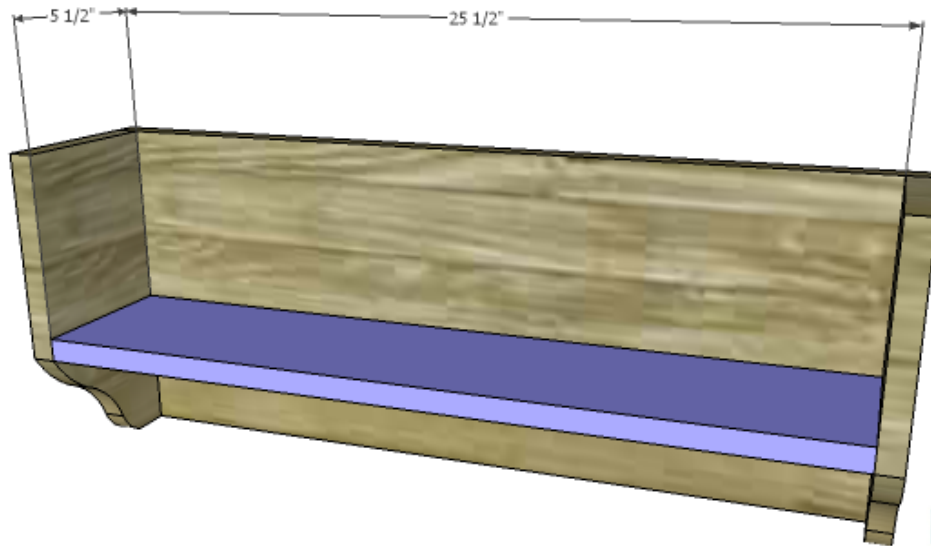
Cut the piece for the back. Secure the back to the back edge of the sides using glue and 1-1/2" brad nails (or 2" nails and a nailset).



DESIGNS BY
STUDIO C

Step Three

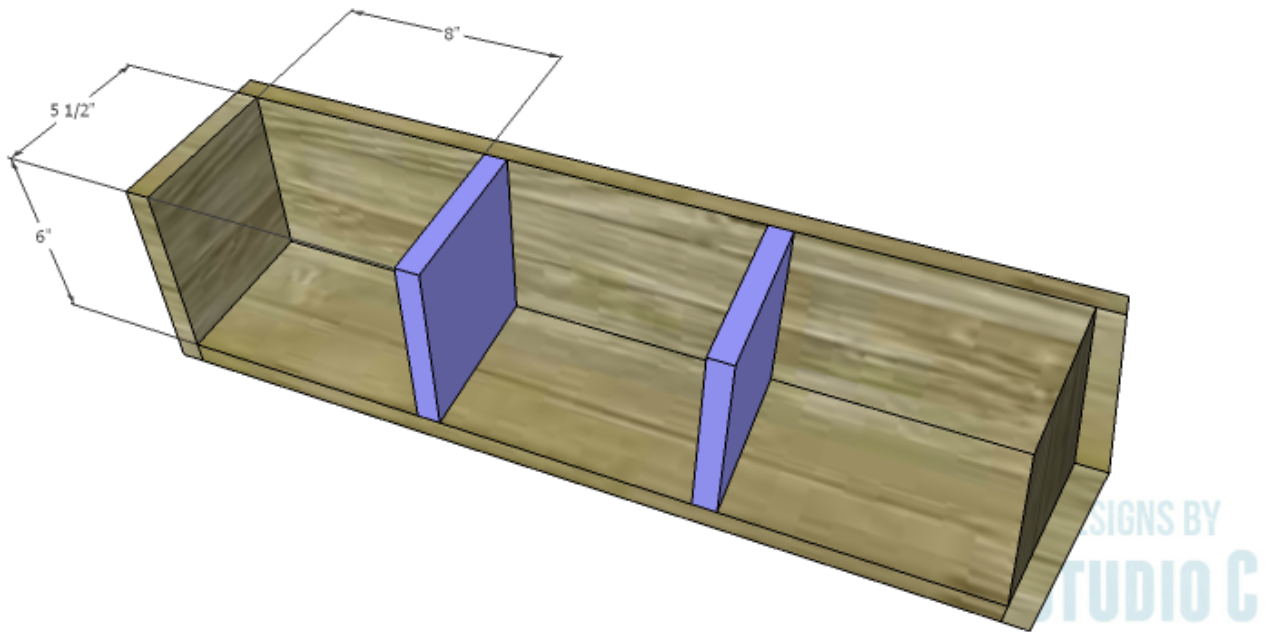
Cut the piece for the bottom. Secure the bottom to the sides and back using glue and 1-1/2" brad nails (or 2" nails and a nailset).



DESIGNS BY
STUDIO C

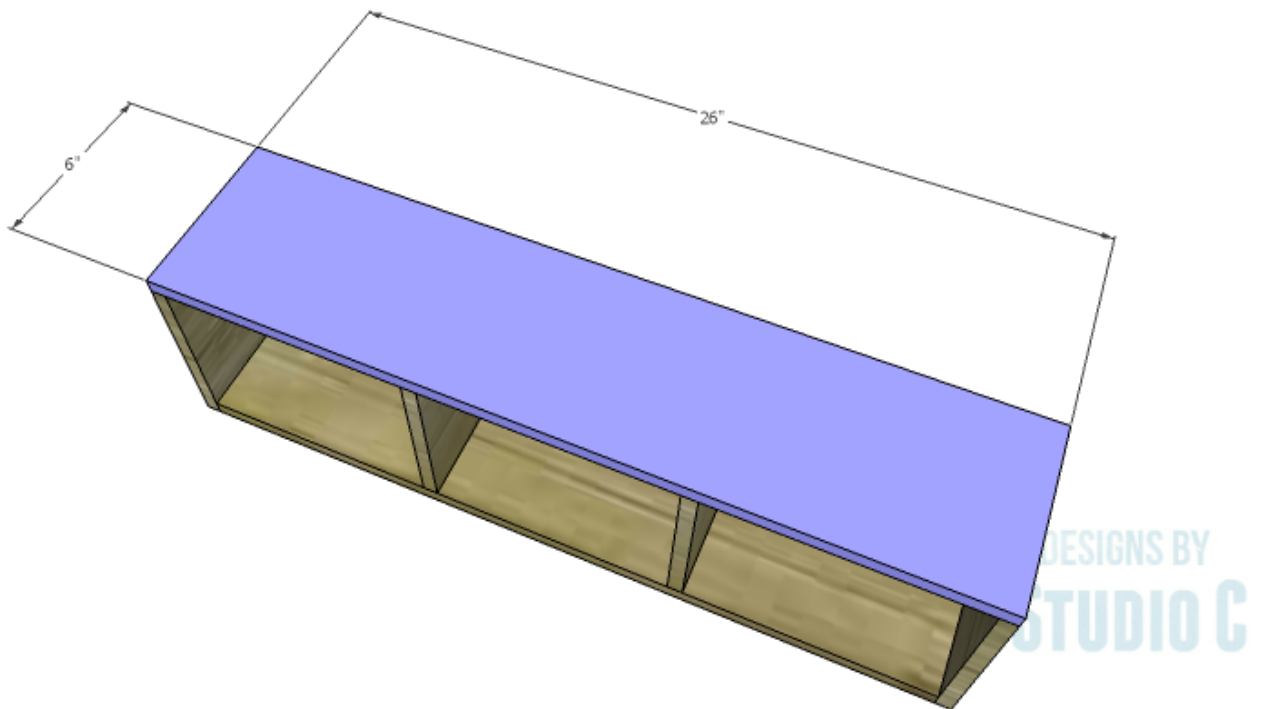
Step Four

Cut the pieces for the dividers. Secure the dividers to the bottom and the back using glue and 1-1/2" brad nails (or 2" nails and a nailset).



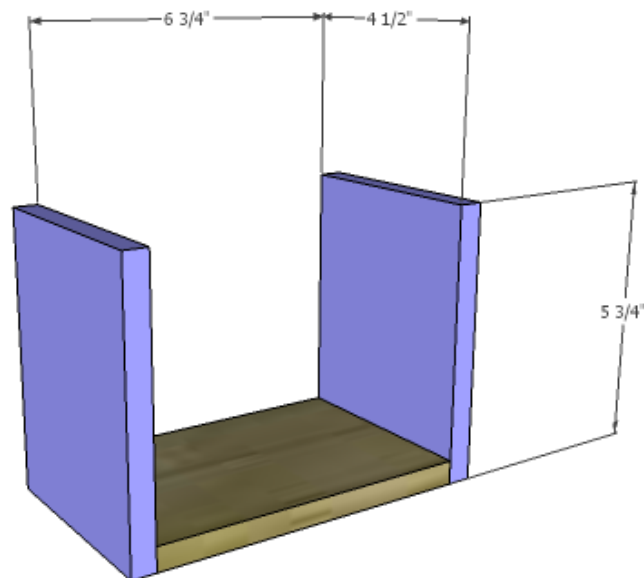
Step Five

Cut the piece for the top. Secure the top to the sides, back, and dividers using glue and 1-1/2" brad nails (or 2" nails and a nailset).



Step Six

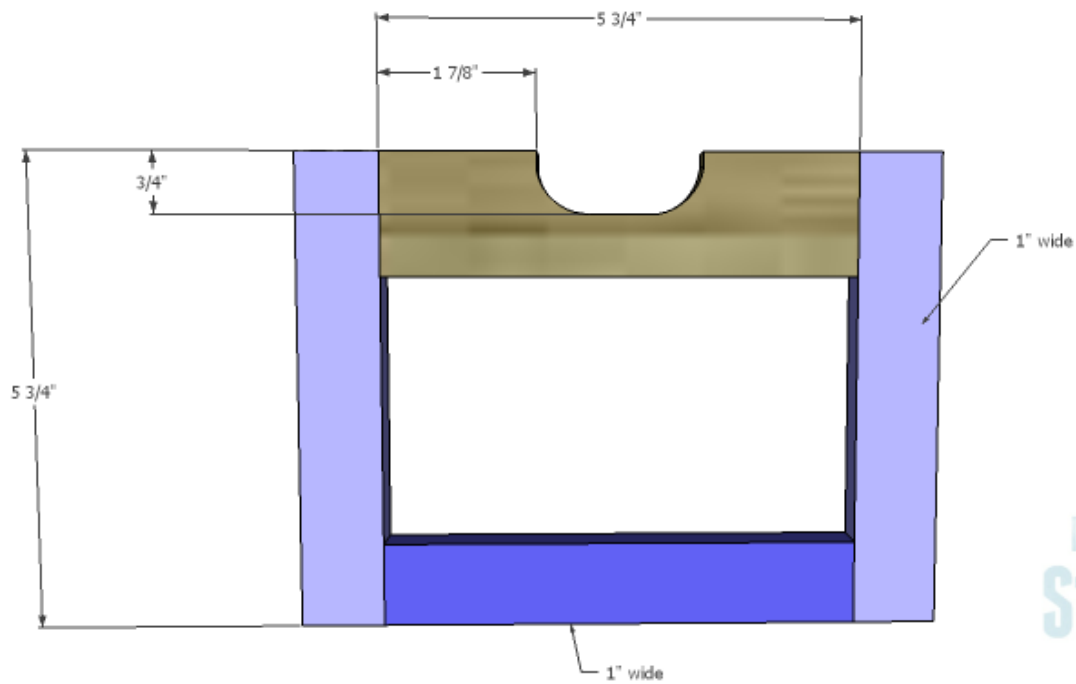
Cut the pieces for the drawer bottoms and sides. Secure the sides to the bottom using glue and 1-1/2" brad nails (or 2" nails and a nailset).



DESIGNS BY
STUDIO C

Step Seven

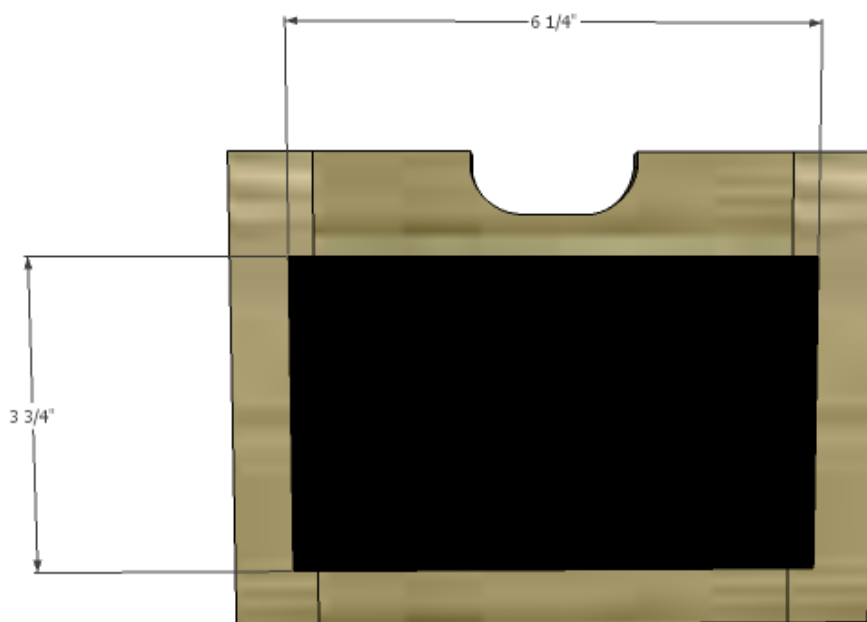
Cut the pieces for the drawer front. Cut the notch in the 1-1/2" piece (the top of the frame) using a jigsaw or a bandsaw. Assemble the frame with glue, clamping the pieces together.



DESIGNS BY
STUDIO C

Step Eight

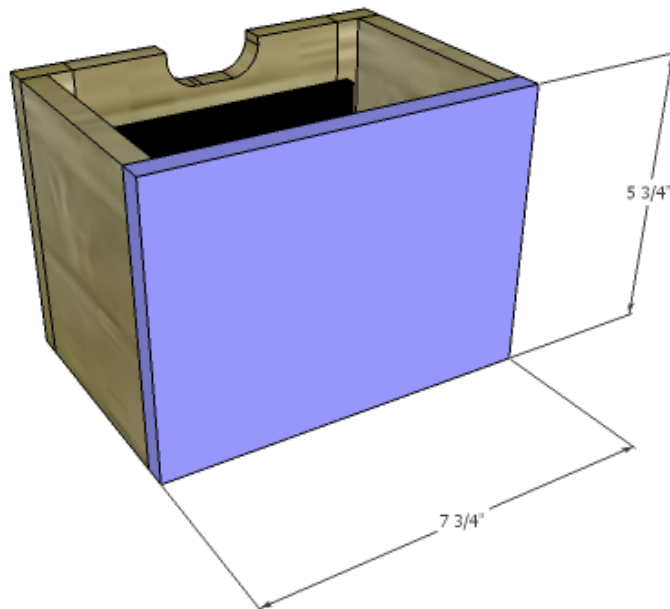
Cut the chalkboard panel pieces and secure to the back of the frame using glue and $\frac{1}{2}$ " brad nails. This will help hold the frame together. Secure the drawer fronts to the drawer sides and bottom using glue and $1\frac{1}{2}$ " brad nails (or 2" nails and a nailset).



DESIGNS BY
STUDIO C

Step Nine

Cut the pieces for the drawer back. Secure the drawer back to the drawer sides and bottom using glue and 1-1/2" brad nails (or 2" nails and a nailset).



DESIGNS BY
STUDIO C

Finish as desired, then apply a coat of paste wax to the bottom of each drawer to help them slide smoothly in the openings. Secure the shelf with long screws through the back into a wall stud – or two! A few metal hooks can be added to the lower portion of the back under the bottom.

This easy-to-build piece would also make a great accent in a bathroom to hold small toiletries and towels! Have any questions for the DIY plans to build a Chalkboard Wall Shelf? Leave a comment below!