

# A Small Cabinet with Lots of Storage

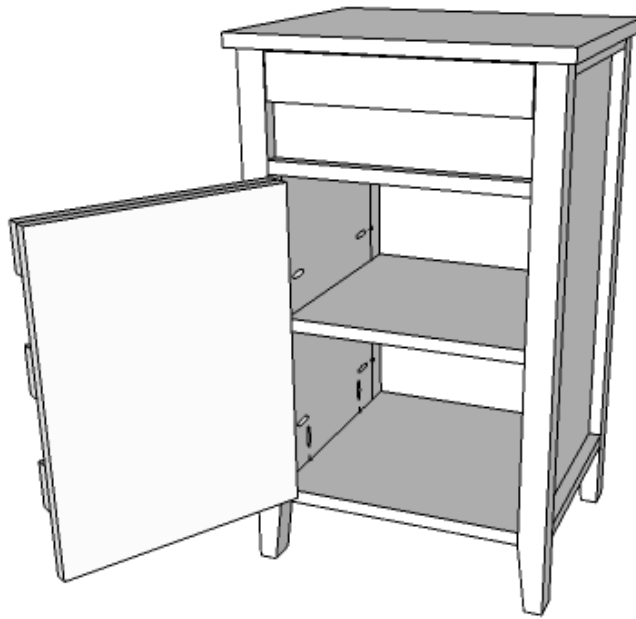
## DIY Plans to Build a Cate Chest

This little cabinet can serve a great purpose in so many rooms... The DIY plans to build a Cate Chest feature a drawer on top and a door at the bottom with two shelves inside. The drawer front and door are pieced to make it look vintage! This is a very easy build and can be finished in a weekend!

**build a  
cate chest**

**DESIGNS BY STUDIO C**





DESIGNS BY  
**STUDIO C**

## Materials:

- 1-1/4" pocket hole screws
- 1-1/4" brad nails
- 1-3/4" brad nails
- Edge banding
- 1 set of hinges
- Wood glue
- Sandpaper (100, 150, 220 grits)
- Finishing supplies (primer & paint, or stain, sealer)

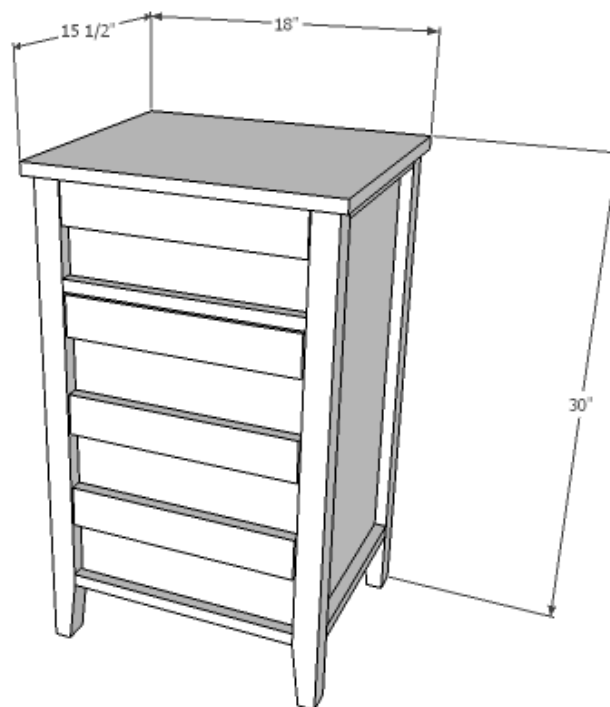
## Lumber:

- 1 – 1x2 at 4'
- 1 – 1x3 at 6'
- 2 – 2x2 at 6'
- 1 – 2' x 4' sheet of 1/4" plywood
- 1 – 4' x 8' sheet of 3/4" plywood

## Cut List:

- 4 – 2x2 at 29-1/4" – Legs

- 2 – 1×2 at 12" – Side Framing
- 2 – 3/4" plywood at 12" x 23-3/4" – Side Panels
- 2 – 3/4" plywood at 14" x 15" – Upper Shelf & Bottom
- 1 – 3/4" plywood at 13-1/2" x 14" – Center Shelf
- 1 – 1/4" plywood at 15-1/2" x 24-7/8" – Back
- 1 – 3/4" plywood at 15-1/2" x 18" – Top
- 2 – 3/4" plywood at 5-1/2" x 12-3/4" – Drawer Box Sides
- 1 – 3/4" plywood at 12-3/8" x 12-3/4" – Drawer Box Bottom
- 2 – 3/4" plywood at 5-1/2" x 13-7/8" – Drawer Box Front & Back
- 1 – 1×3 at 13-7/8" – Drawer Box Front Trim
- 1 – 3/4" plywood at 13-3/4" x 18" – Door Base
- 3 – 1×3 at 13-3/4" – Door Trim



*Click on the drawings for a larger view!*

## Step One

Cut the pieces for the legs. Cut the taper using a jigsaw, bandsaw or a tapering jig on a table saw.

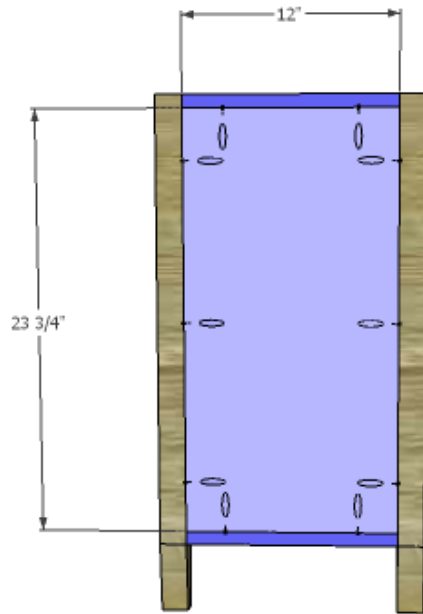


DESIGNS BY  
STUDIO C

## Step Two

Cut the pieces for the side framing and the side panels. With the pocket hole jig set for 3/4" material, drill pocket holes in each end of the framing pieces and all four edges of the panels. Secure the framing pieces to the legs using glue and 1-1/4" pocket hole screws.

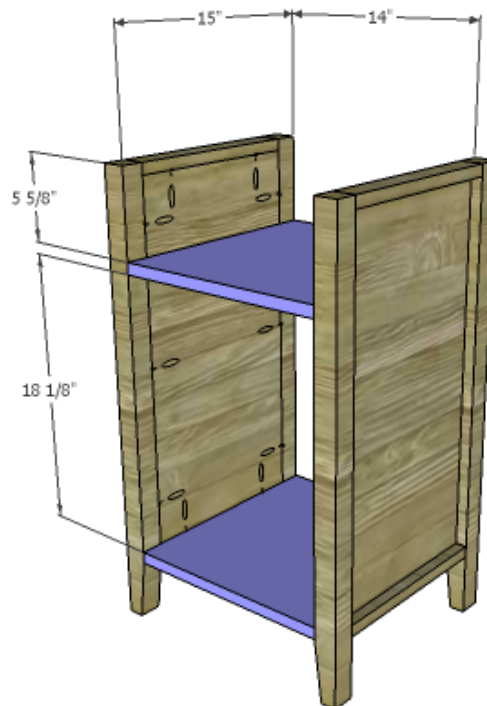
Secure the panels to the side framing assembly using glue and 1-1/4" pocket hole screws. The back face of the panel will be flush with the back face of the side framing assembly.



DESIGNS BY  
**STUDIO C**

## Step Three

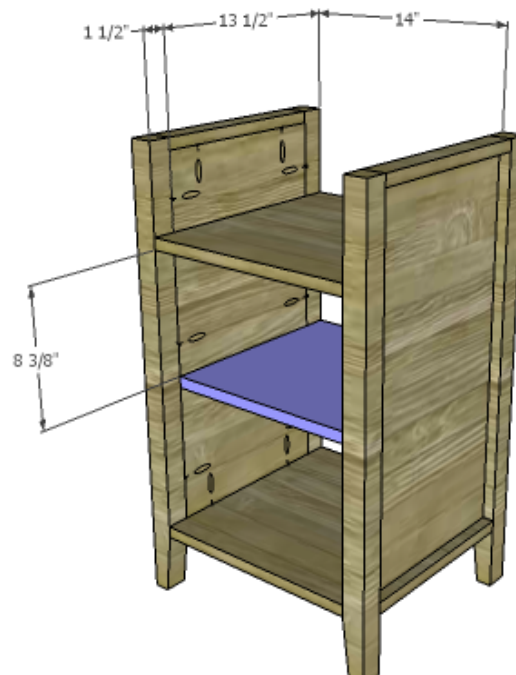
Cut the pieces for the upper shelf and bottom, and drill pocket holes in the side edges. Secure the upper shelf and bottom to the sides using glue and 1-1/4" pocket hole screws.



DESIGNS BY  
**STUDIO C**

## Step Four

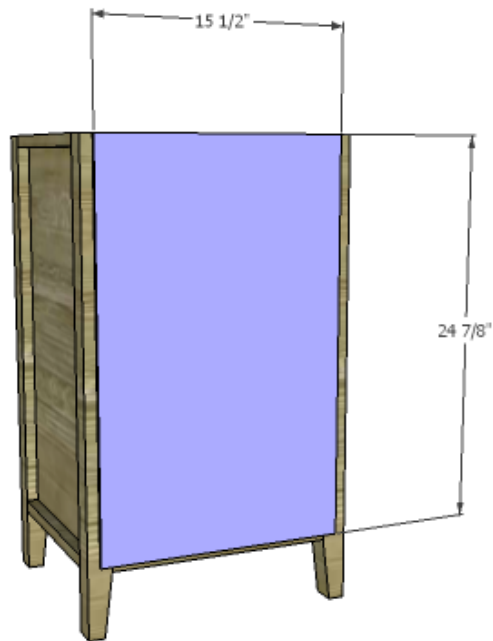
Cut the piece for the center shelf and drill pocket holes in the side edges. Position the shelf so it is flush with the back of the legs which will make it 1-1/2" back from the front legs (to allow for the door). Secure the shelf to the sides using glue and 1-1/4" pocket hole screws.



DESIGNS BY  
**STUDIO C**

## Step Five

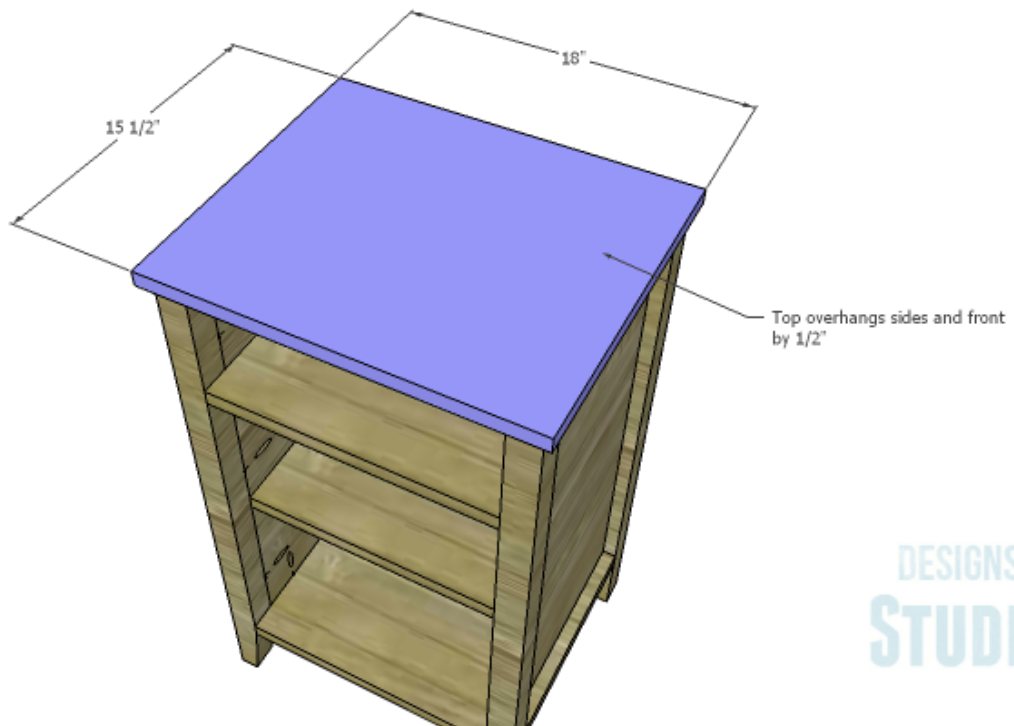
Cut the piece for the back. Secure the back using glue and 1-1/4" brad nails.



DESIGNS BY  
**STUDIO C**

## Step Six

Cut the piece for the top. The top will be flush with the back, and will overhang the sides and front by 1/2". Secure in place using glue and 1-3/4" brad nails.

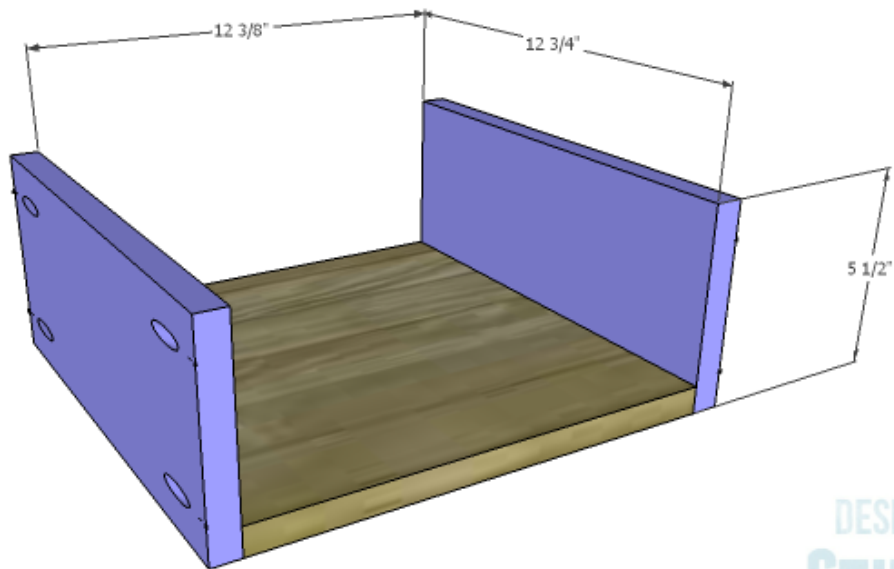


DESIGNS BY  
**STUDIO C**

## Step Seven

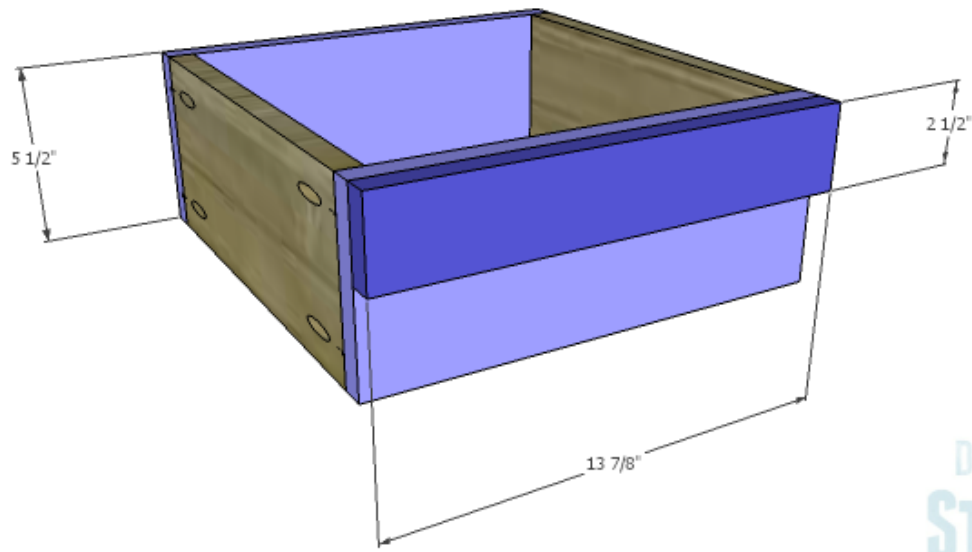
Cut the pieces for the drawer boxes. Drill pocket holes in all four edges of the bottom as well as each end of the sides. Assemble the drawer boxes as shown using glue and 1-1/4" pocket hole screws.

Attach the 1x3 trim piece using glue and 1-1/4" brad nails. Apply a coat of paste wax to the bottom of the drawer to help it slide smoothly.



DESIGNS BY  
**STUDIO C**



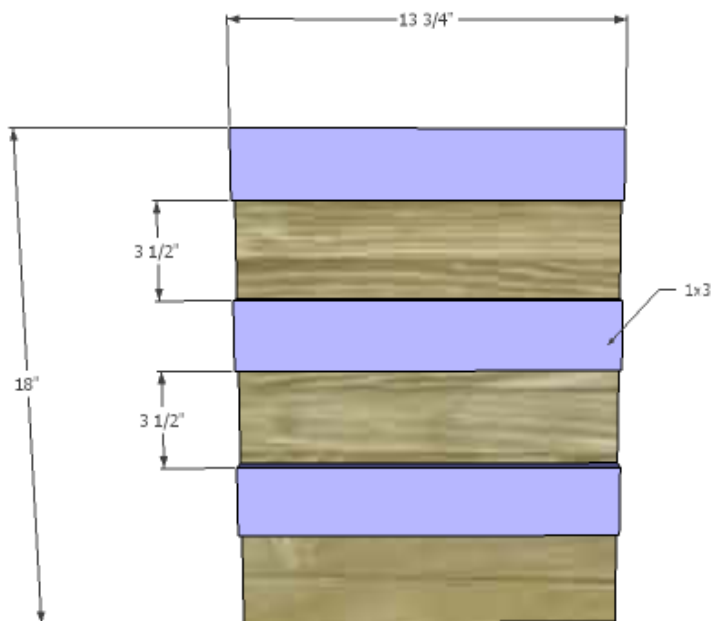


DESIGNS BY  
**STUDIO C**

## Step Eight

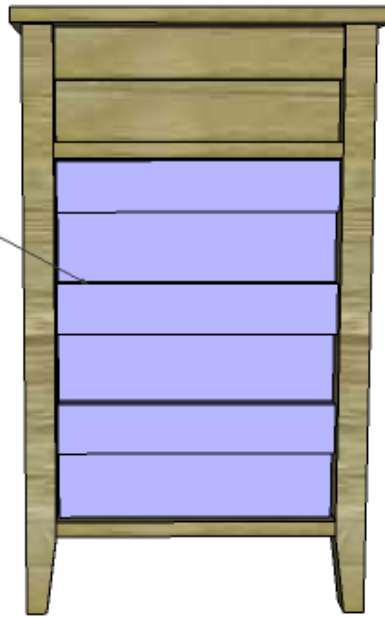
Cut the pieces for the door. Attach the trim pieces as shown using glue and 1-1/4" brad nails.

Install the hinges on the door, then install the door in the cabinet.



DESIGNS BY  
**STUDIO C**

There will be a 1/8" gap around all sides of the door in the opening



DESIGNS BY  
**STUDIO C**

Finish as desired.

This cabinet would make a fabulous nightstand or an end table in a living room! Have any questions about the DIY plans to build a Cate Chest? Leave a comment below!