

New Plans for a Beautiful Dining Chair Bench

DIY Furniture Plans to Build a Long Chair Bench

This post contains affiliate links to the materials used to build this project. What that means is that if the link is clicked and a purchase is made, I will receive a small commission. Thank you for supporting DbSC!

The very first [dining chair bench I designed plans for and built](#) was as a gift for my mom. She still loves it (and still won't let anyone sit on it!) and I am super-proud of it! The DIY furniture plans to build a Long Chair Bench are basically the same as the original chair bench but in this case, all of the chairs match. This is the perfect plan for those new to furniture building – it is really super-easy!

**build a
long
chair
bench**



DESIGNS BY STUDIO C

Materials:

- [1-1/4" pocket hole screws](#)
- [2" brad nails](#)
- 4 – [2" wide mending plates](#)
- [Edge banding](#) for the seat, optional
- [Wood glue](#)
- [Sandpaper](#) (100, 150, 220 grits)
- Finishing supplies (primer & paint, or stain, sealer)

Tools Needed:

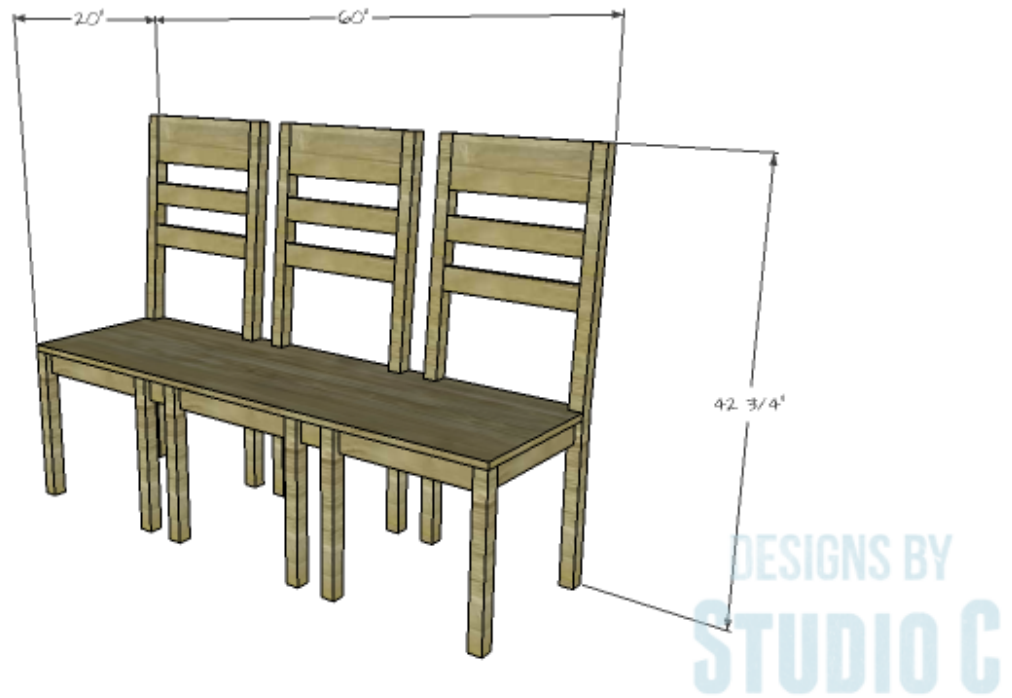
- [Circular saw](#) or [miter saw](#)
- [Jigsaw](#) or [bandsaw](#)
- [Drill](#)
- [Pocket hole jig](#)
- Pneumatic [brad nailer](#) with compressor
- [Sander](#)

Lumber:

- 4 – 1×3 at 8'
- 1 – 1×6 at 4'
- 3 – 2×2 at 6'
- 3 – 2×4 at 8'
- 1 – 4' x 8' sheet of 3/4" plywood

Cut List:

- 6 – 2×4 at 42-3/4" – Back Legs
- 3 – 1×6 at 15" – Upper Back
- 12 – 1×3 at 15" – Back Pieces and Stretchers
- 6 – 2×2 at 17-1/4" – Front Legs
- 6 – 1×3 at 15" – Side Stretchers
- 3 – 1×3 at 15" – Seat Supports
- 4 – 1×3 at 3" – Spacers
- 3 – 3/4" plywood at 18" x 60" – Seat



Click on the drawings for a larger view!

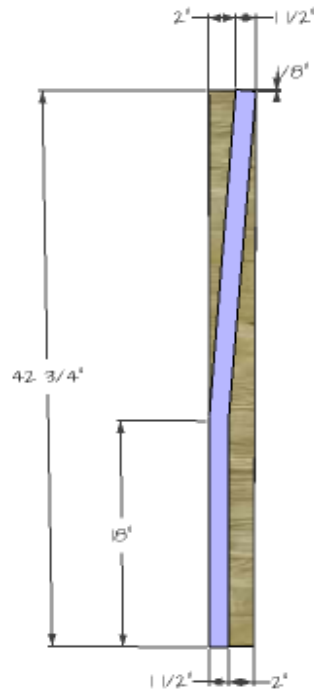
Notes about the project:

Edge banding, if used, will be applied to the exposed edges of the seat prior to securing it to the seat frames.

When cutting multiple legs for chairs, I draw the dimensions for the legs on one board, then stack the boards securing them together. I used a bandsaw to cut along the lines drawn on the board cutting the legs at the same time.

Step One

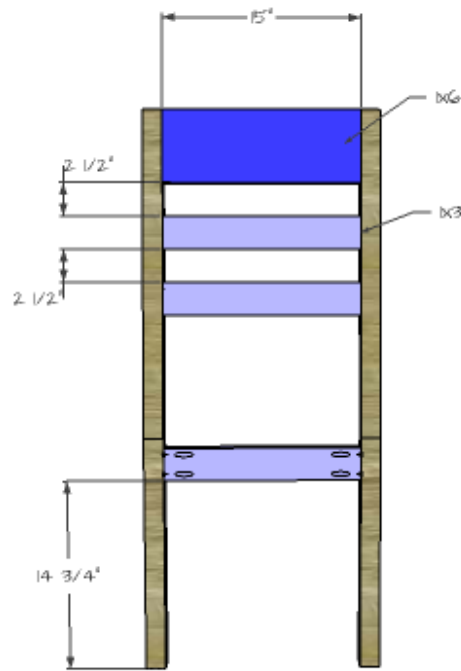
Draw the lines for the back legs on the 2×4 as shown in the drawing. Use a jigsaw or bandsaw to cut the legs out. Stack the legs together holding the stack with a clamp, then thoroughly sand.



DESIGNS BY
STUDIO C

Step Two

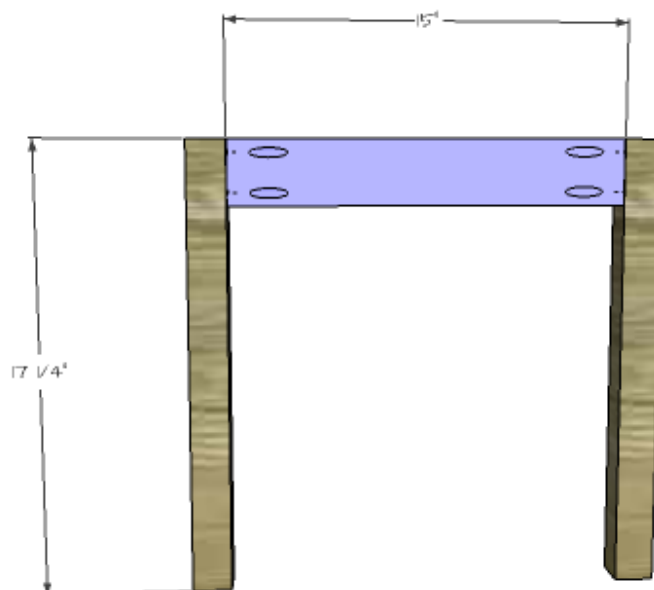
Cut the pieces for the back and the stretchers. With the pocket hole jig set for 3/4" material, drill pocket holes in each end of each piece. Secure the pieces to the legs as shown using glue and 1-1/4" pocket hole screws. The front faces of the back pieces will be flush with the front faces of the legs, while the back face of the stretcher will be flush with the front face of the legs. (There should be three stretchers left over for the front.)



DESIGNS BY
STUDIO C

Step Three

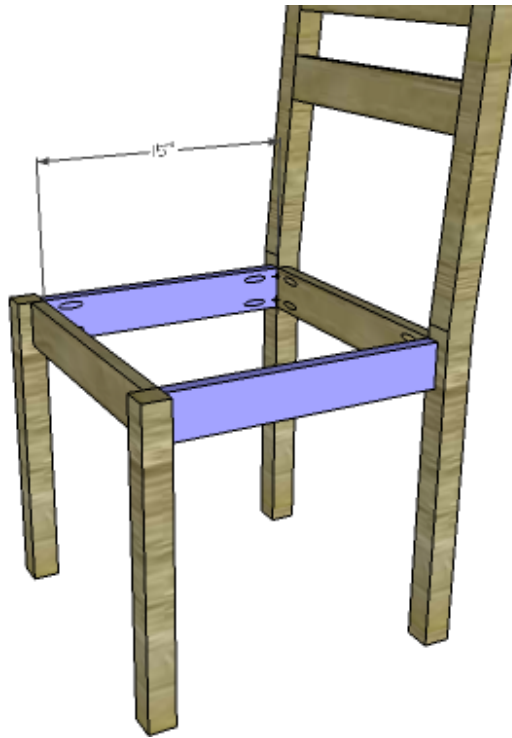
Cut the pieces for the front legs. Secure the remaining stretchers to the legs using glue and 1-1/4" pocket hole screws. The back face of the stretchers will be flush with the inside faces of the legs.



DESIGNS BY
STUDIO C

Step Four

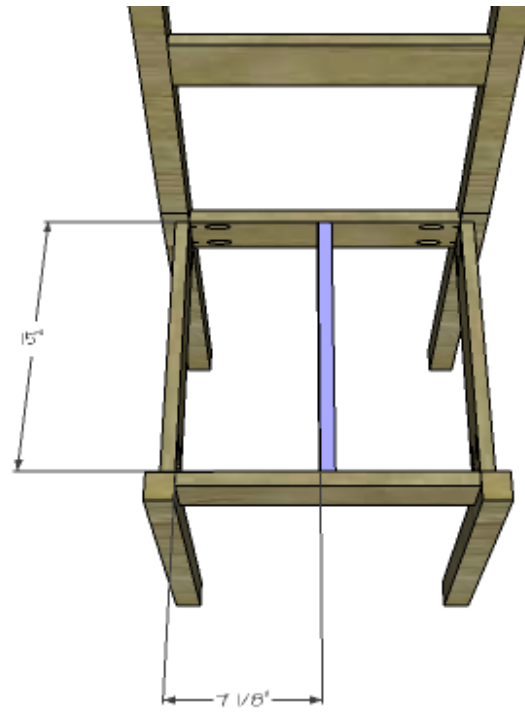
Cut the pieces for the side stretchers and drill pocket holes in each end. Secure the stretchers to the front and back legs using glue and 1-1/4" pocket hole screws. The back face of the stretchers will be flush with the inside faces of the legs.



DESIGNS BY
STUDIO C

Step Five

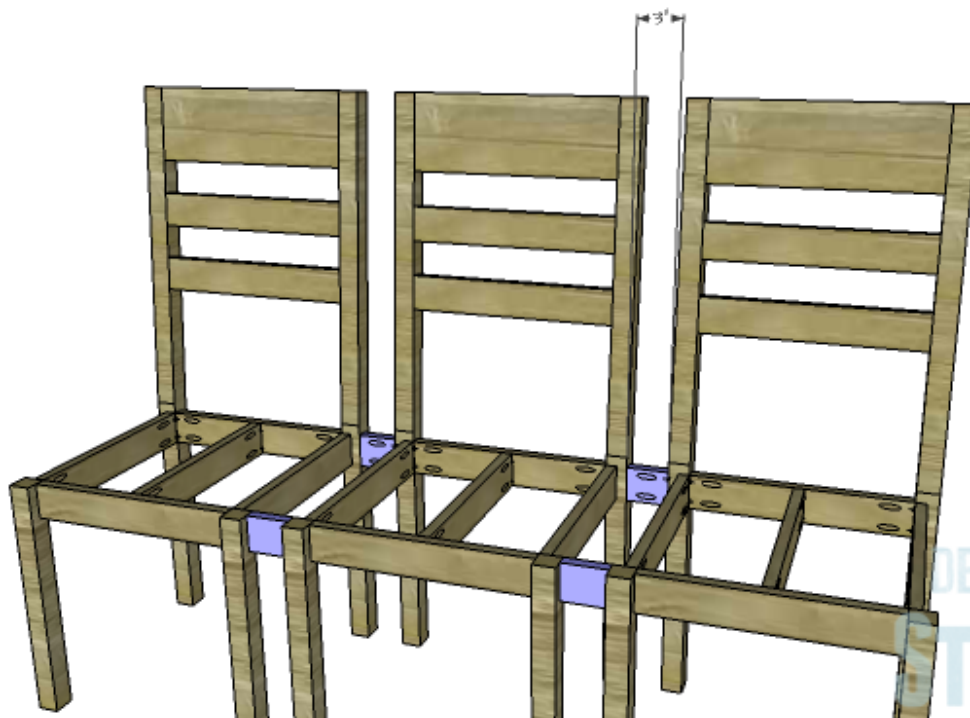
Cut the pieces for the seat supports and drill pocket holes in each end. Secure the supports to the front and back stretchers using glue and 1-1/4" pocket hole screws.



DESIGNS BY
STUDIO C

Step Six

Cut the pieces for the spacers and drill pocket holes in one end only of each piece. One side of the spacers will be secured to the legs using pocket hole screws, and the other side will be secured to the legs using the mending plates and screws.

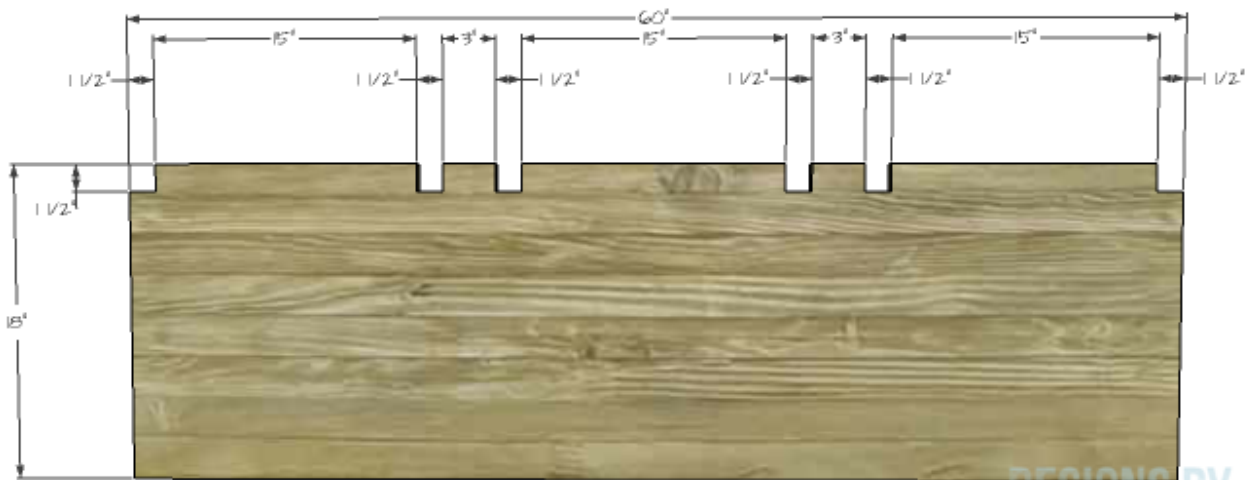


DESIGNS BY
STUDIO C

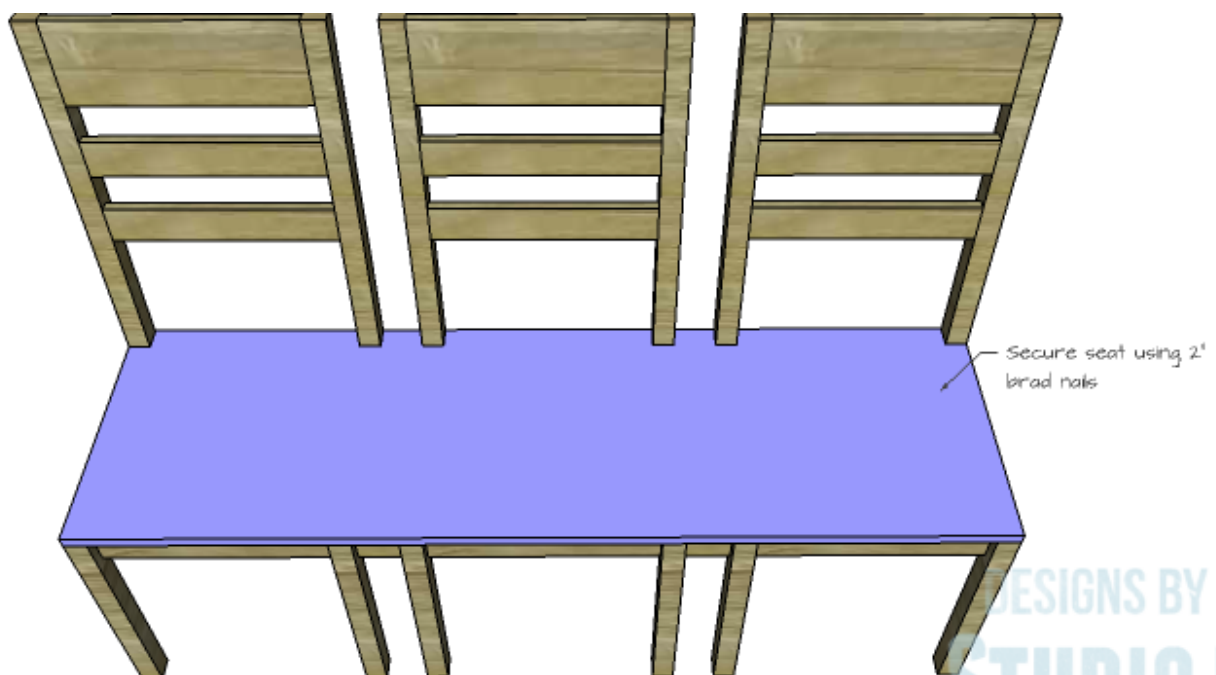
Step Seven

Cut the piece for the seat. If using edge banding, apply it to all four edges prior to cutting the notches. Mark the position for the notches and cut them out with a jigsaw.

Position the seat on the seat frames securing in place using glue and 2" brad nails.



DESIGNS BY
STUDIO C



DESIGNS BY
STUDIO C

Finish the bench as desired.

The seat for this bench can also be cut from planks, and can be stenciled, stained or painted. Wood appliques can also be added to the upper back pieces for a decorative look. Have any questions about the DIY furniture plans to build a Long Chair Bench? Leave a comment below!