

A New Plan to Build a Coffee Table with Two Ottomans

DIY Furniture Plans to Build a Coffee Table with Slide-Out Extensions

This plan, though plain, simple and easy to build, does dual duty... The DIY furniture plans to build a Coffee Table with Slide-Out Extensions are not only to build a place to set drinks, books and TV remotes but there are also two separate slide-outs to rest your feet! As usual, this plan is another project that can be completed in a weekend!



**build a
coffee table
with slide-out extensions**

DESIGNS BY STUDIO C

Materials:

- 2-1/2" pocket hole screws
- 2" brad nails
- Edge banding, optional
- Wood glue

- Sandpaper (100, 150, 220 grits)
- Finishing supplies (primer & paint, or stain, sealer)

Tools Needed:

- Miter saw or circular saw
- Drill
- Pocket hole jig
- Pneumatic brad nailer with compressor
- Sander

Lumber:

- 10 – 2×2 at 8′
- 1 – 4′ x 4′ sheet of 3/4″ plywood

Cut List:

For the Coffee Table:

- 4 – 2×2 at 48″ – Frame
- 6 – 2×2 at 16-1/2″ – Frame
- 4 – 2×2 at 18″ – Stretchers
- 1 – 3/4″ plywood at 21″ x 48″ – Top

For Both Ottomans:

- 8 – 2×2 at 22-3/4″ – Frames
- 8 – 2×2 at 13-1/4″ – Frames
- 8 – 2×2 at 14-1/2″ – Stretchers
- 2 – 3/4″ plywood at 17-1/2″ x 22-3/4″ – Top



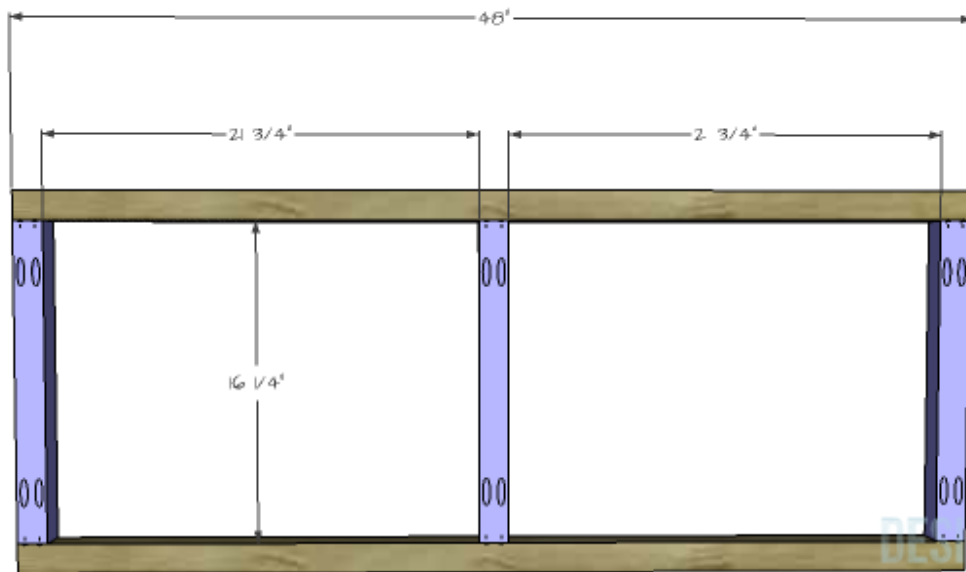
Click on the drawings for a larger view!

Notes About the Project:

If using edge banding on the exposed edges of the tops, it will be applied before securing the tops to the frame.

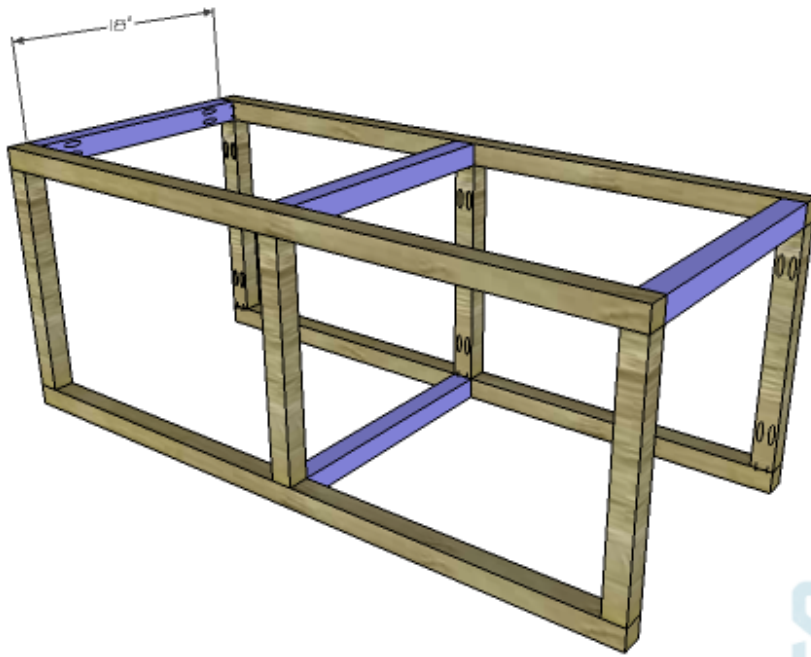
Step One

Cut the pieces for the coffee table frame. With the pocket hole jig set for 1-1/2" material, drill pocket holes in each end of the six shorter 2x2 pieces for the frame. Secure to the longer pieces as shown in the drawing using glue and 2-1/2" pocket hole screws.



Step Two

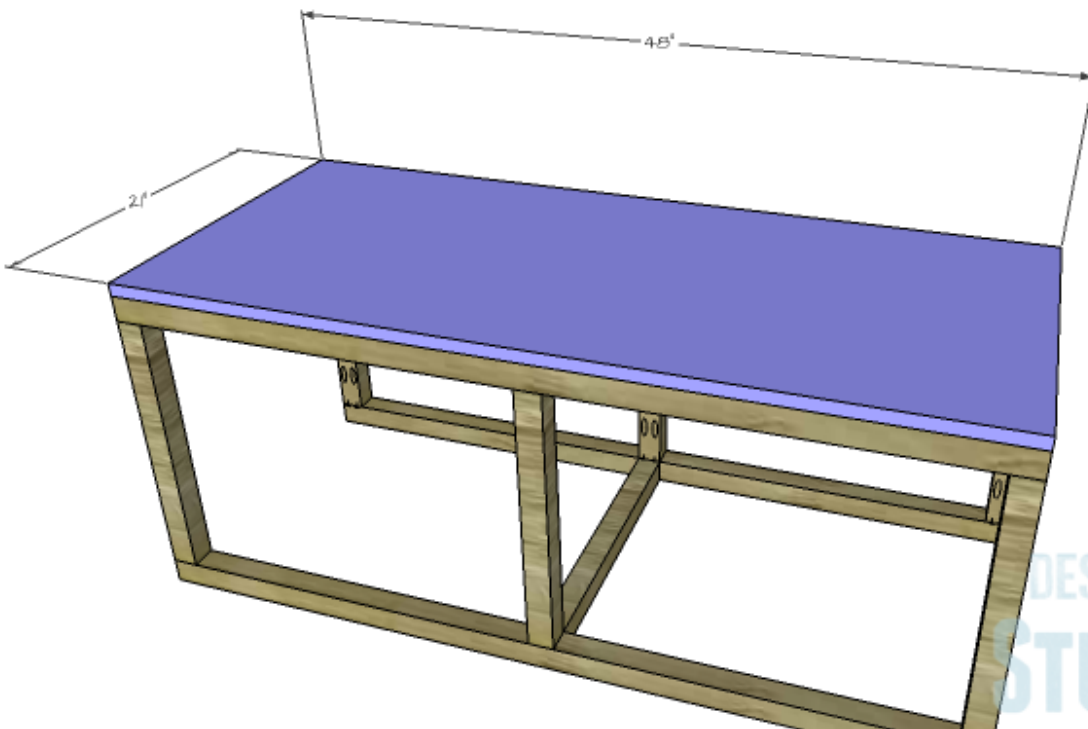
Cut the pieces for the coffee table stretchers and drill pocket holes in each end. Secure the stretchers to the frame as shown in the drawing using glue and 2-1/2" pocket hole screws.



DESIGNS BY
STUDIO C

Step Three

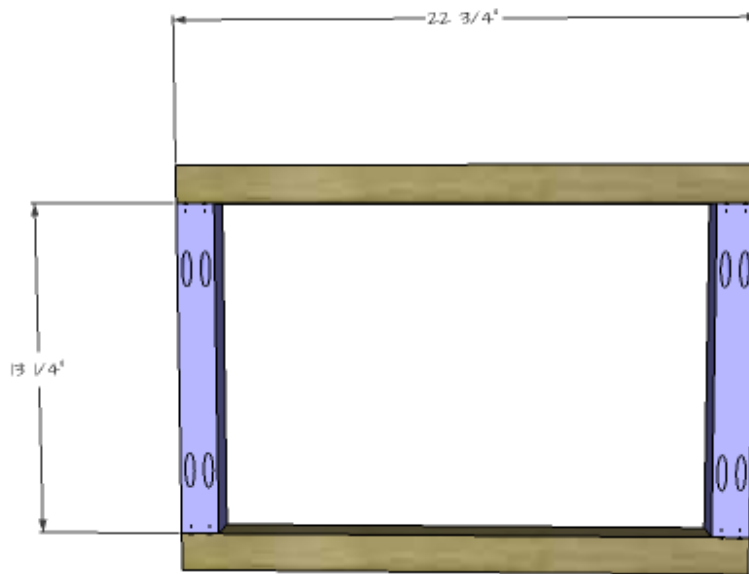
Cut the piece for the coffee table top. Secure to the top of the coffee table frame using glue and 2" brad nails.



DESIGNS BY
STUDIO C

Step Four

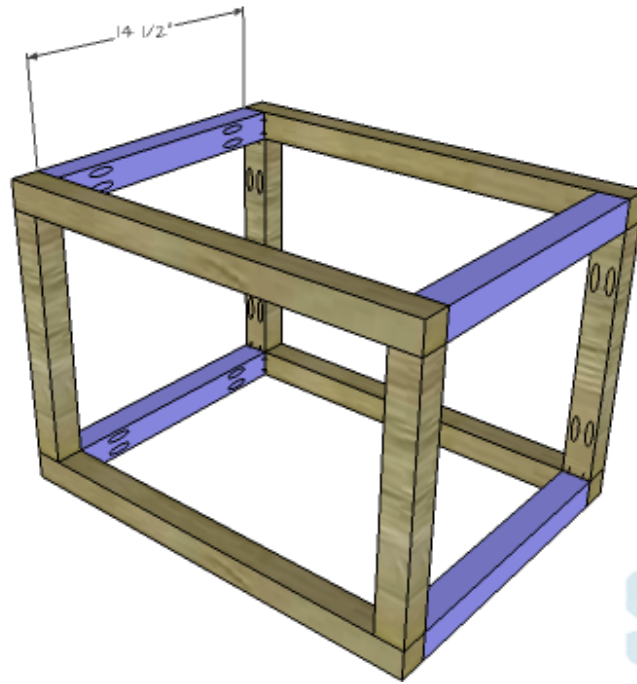
Cut the pieces for the ottoman frames and drill pocket holes in each end of the shorter 2x2 pieces for the frame. Secure to the longer pieces as shown in the drawing using glue and 2-1/2" pocket hole screws.



DESIGNS BY
STUDIO C

Step Five

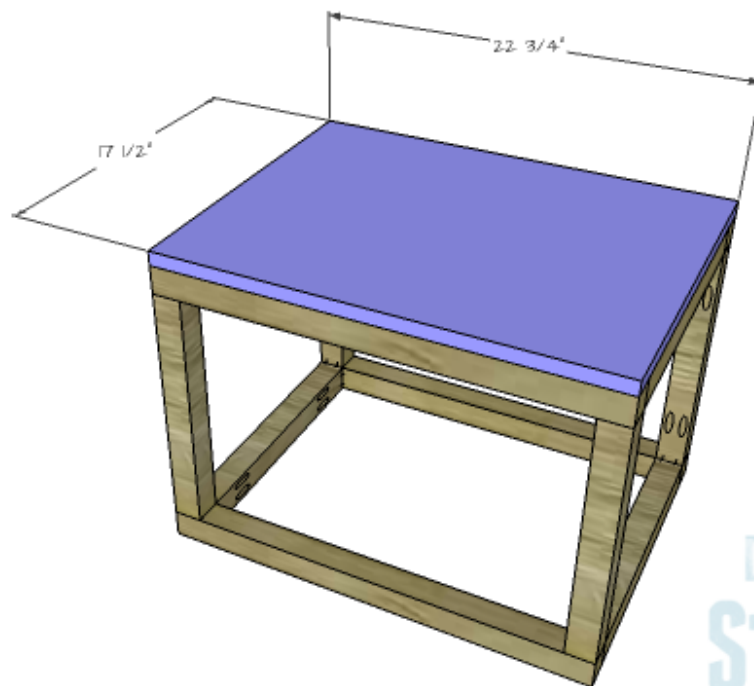
Cut the pieces for the ottoman stretchers and drill pocket holes in each end. Secure the stretchers to the frame as shown in the drawing using glue and 2-1/2" pocket hole screws.



DESIGNS BY
STUDIO C

Step Six

Cut the piece for the ottoman tops. Secure to the top of the ottoman frame using glue and 2" brad nails.



DESIGNS BY
STUDIO C

Finish as desired.

The tops can also be upholstered with 1" foam and fabric prior

to securing to the frames. Cut the foam and fabric larger than the tops and staple to the underside of the top pieces. Secure the tops to the frames using 1" corner brackets and screws.

The coffee table and ottoman combo would also be a great for the outdoors if suitable materials (lumber, screws and fabric) are used! Have any questions about the DIY furniture plans to build a Coffee Table with Slide-Out Extensions? Leave a comment below!