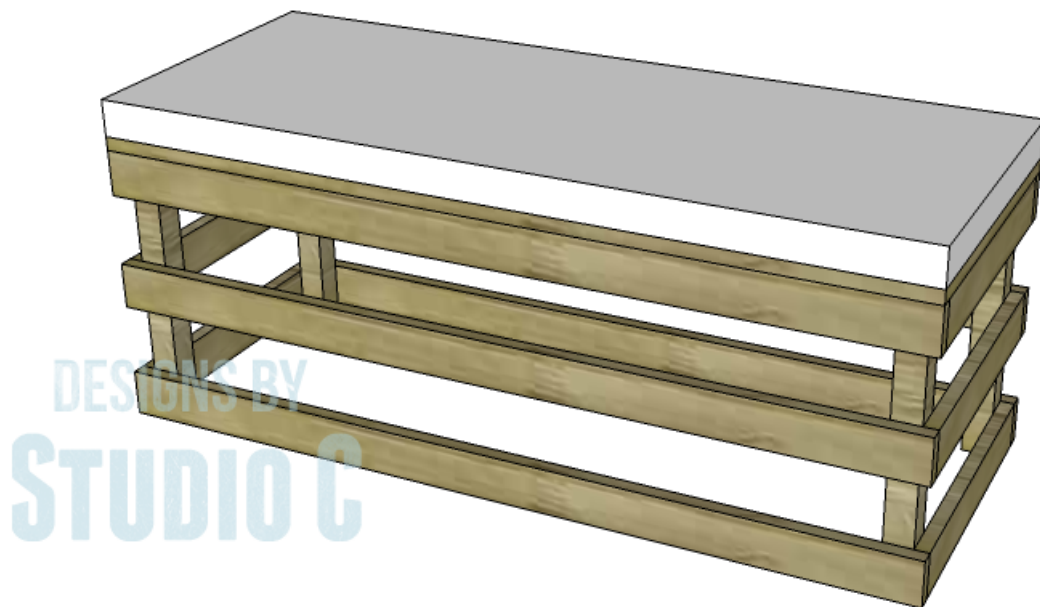


# [Build a Crate Bench](#)

## Build a Fantastic Seat for the Porch or Patio with the Crate Bench Plans

This is a great project for those who are new to woodworking or who just want a quick weekend project. The Crate Bench Plans have a sturdy inner frame with slats on the outside to mimic a crate. The bench can also accommodate a 17" x 44" cushion on the seat. Check out my [basic box cushion how-to](#) for a quick tutorial on making the cushion!

### BUILD A CRATE BENCH



### Materials:

- [2-1/2" pocket hole screws](#)
- 1-1/2" brad nails

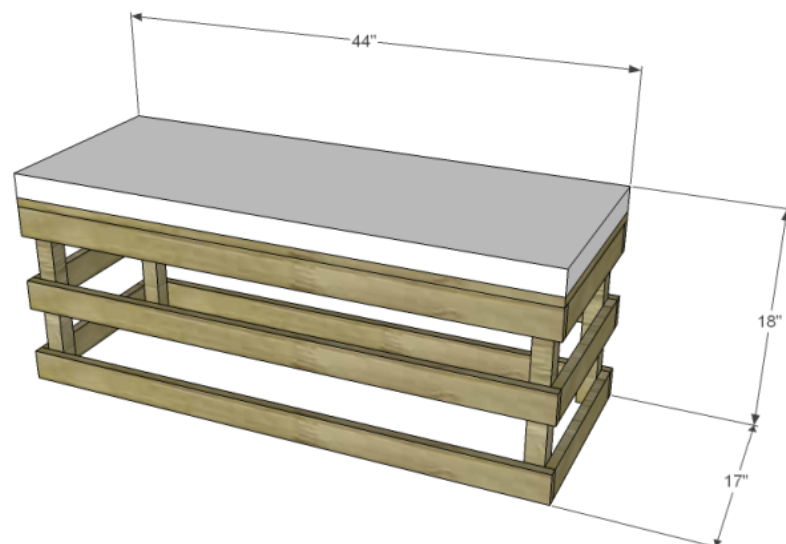
- Edge banding, optional
- Wood glue
- Sandpaper (100, 150, 220 grits)
- Finishing supplies (primer & paint, or stain, sealer)

## Lumber:

- 5 – 1×3 at 8′
- 2 – 2×2 at 6′
- 1 – 2×2 at 8′
- 1 – 2′ x 4′ sheet of plywood

## Cut List:

- 4 – 2×2 at 15-1/4" – Legs
- 4 – 2×2 at 12-1/2" – Base Frame & Seat Supports
- 2 – 2×2 at 39-1/2" – Base Frame
- 6 – 1×3 at 15-1/2" – Side Slats
- 6 – 1×3 at 44" – Front & Back Slats
- 1 – 3/4" plywood at 17" x 44" – Seat



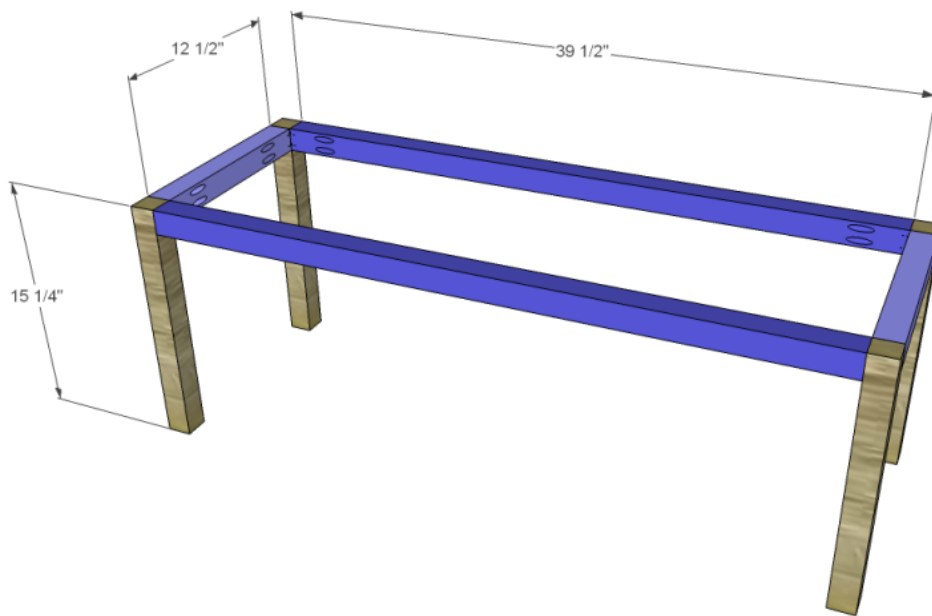
## Notes:

Edge banding will be applied to the exposed edges of the

plywood prior to assembly.

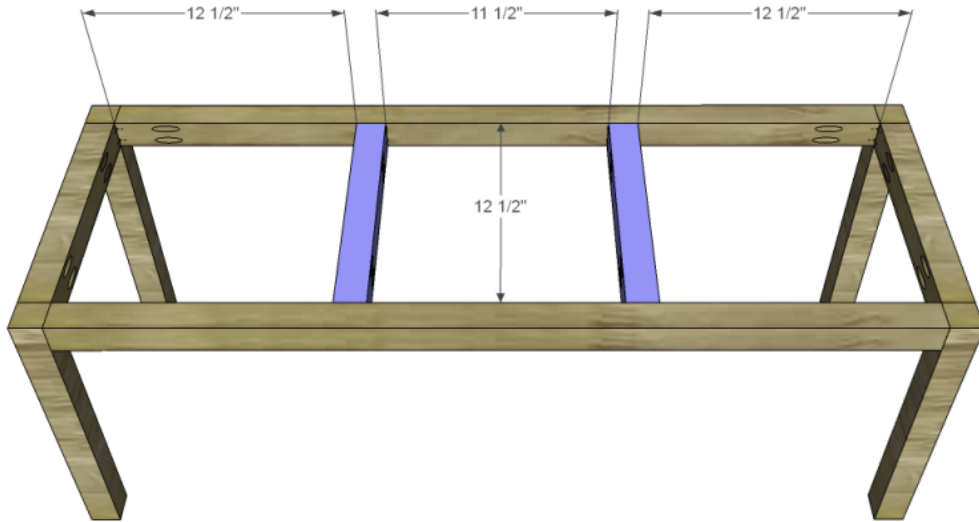
## Step One

Cut the pieces for the base frame. With the pocket hole jig set for 1-1/2" material, drill pocket holes in each end of the frame pieces. Secure to the legs using glue and 2-1/2" pocket hole screws. The top face of the frame pieces will be flush with the top of each leg.



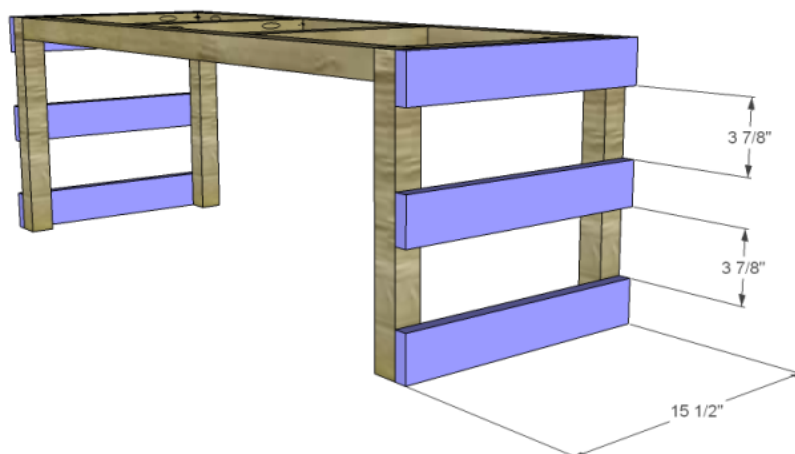
## Step Two

Cut the pieces for the seat supports and drill pocket holes in each end. Secure to the front and back frame pieces as shown using glue and 2-1/2" pocket hole screws.



## Step Three

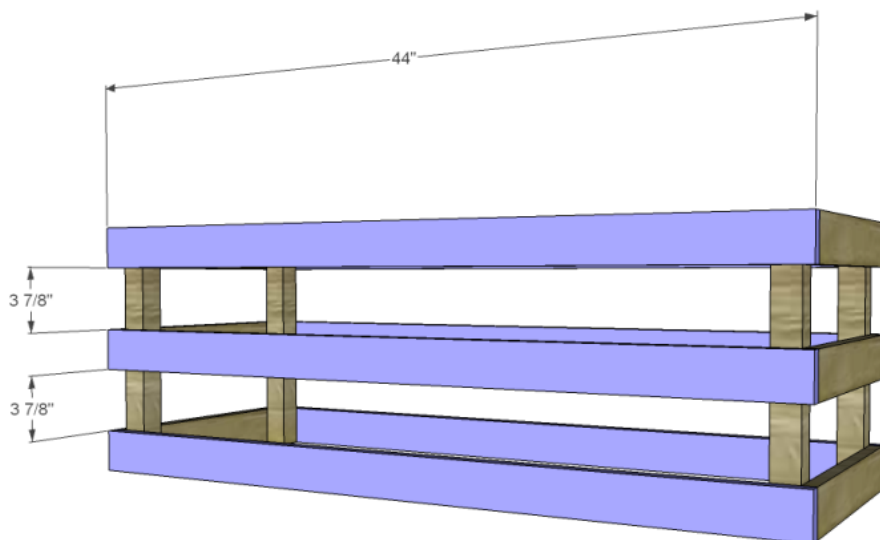
Cut the pieces for the side slats. Position them as shown in the drawing securing the slats using glue and 1-1/2" brad nails.



## Step Four

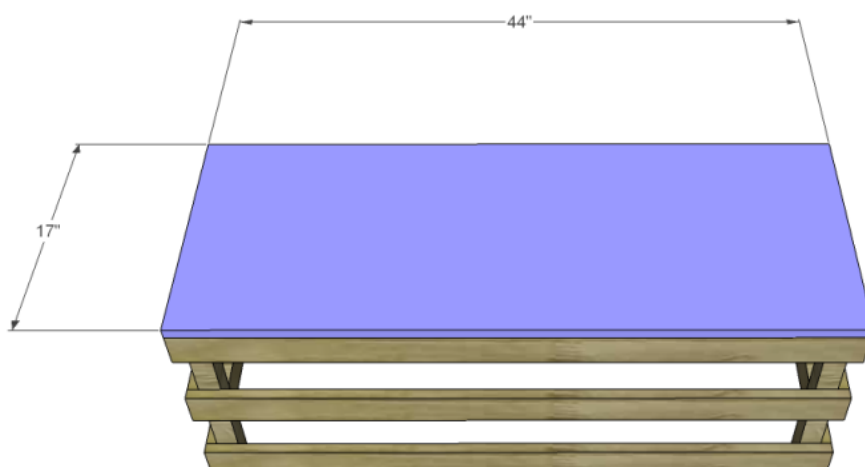
Cut the pieces for the front and back slats. Overlap the edges

of the side slats with the front and back slats lining them up. Secure using glue and 1-1/2" brad nails.



## Step Five

Cut the piece for the seat. Secure to the frame and supports using glue and 1-1/2" brad nails.



Finish as desired.

The Crate Bench plans would be awesome constructed out of rustic pallet boards, also. The plywood on the seat can be replaced with slats as an alternative. Have questions? Let me know at cher {at} designsbystudioc {dot} com!

*Disclaimer:*

*This post contains links to a site of which I am an affiliate. What that means is if the link is clicked and a purchase is made, I will get a commission of that sale. Rest assured I would only direct my readers to sites I shop at myself!*