

[A Coffee Table Added to the Riley Collection](#)

DIY Plans to Build a Riley Coffee Table

Previously, I posted plans for the [Riley End Table](#), a table featuring X detail at each side. The DIY plans to build a Riley Coffee Table feature the same X detail at the sides, with a shelf below. This is another excellent plan for beginners – the X detail pieces are very easy to construct plus the table can be completed in a weekend!

build a
riley
coffee
table



Materials:

- 1-1/4" pocket hole screws
- 2-1/2" pocket hole screws
- 1-1/4" brad nails
- Edge banding, optional

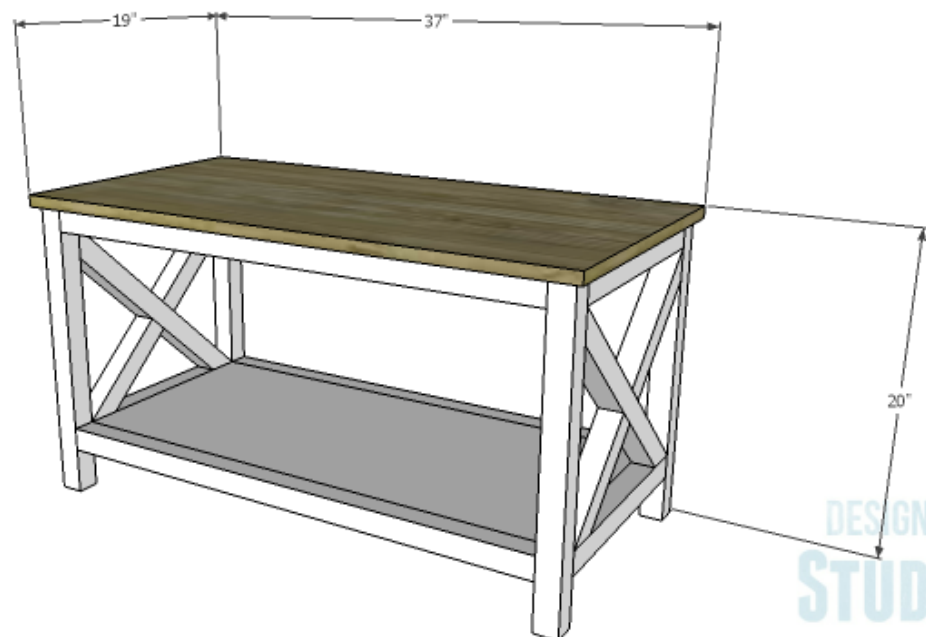
- Wood glue
- Sandpaper (100, 150, 220 grits)
- Finishing supplies (primer & paint, or stain, sealer)

Lumber:

- 2 – 2×2 at 6′
- 3 – 2×2 at 8′
- 1 – 4′ x 4′ sheet of 3/4″ plywood

Cut List:

- 2 – 2×2 at 20″ – X Detail
- 2 – 2×2 at 10″ – X Detail
- 2 – 2×2 at 8-11/16″ – X Detail
- 4 – 2×2 at 15″ – Side Framing
- 4 – 2×2 at 19-1/4″ – Legs
- 4 – 2×2 at 33″ – Stretchers
- 1 – 3/4″ plywood at 15″ x 33″ – Shelf
- 1 – 3/4″ plywood at 19″ x 37″ – Top



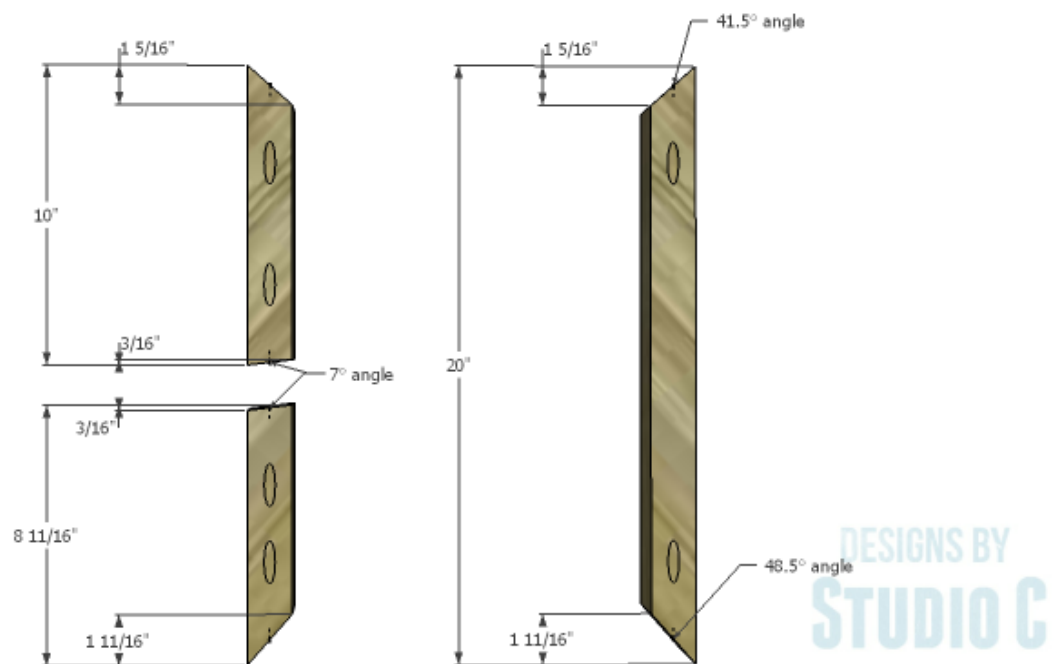
Click on the drawings for a larger view!

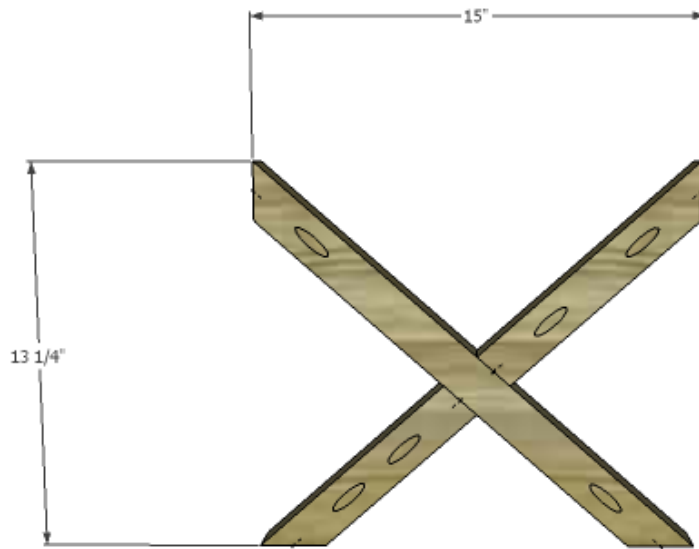
Step One

Cut the pieces for the legs, the framing, and the X detail. Mark the angles for the X detail by drawing a line across the board at the dimension given, then drawing another line from the corner of one end of the piece to the end of the line on the opposite side. Cut the angle using a jigsaw or a bandsaw.

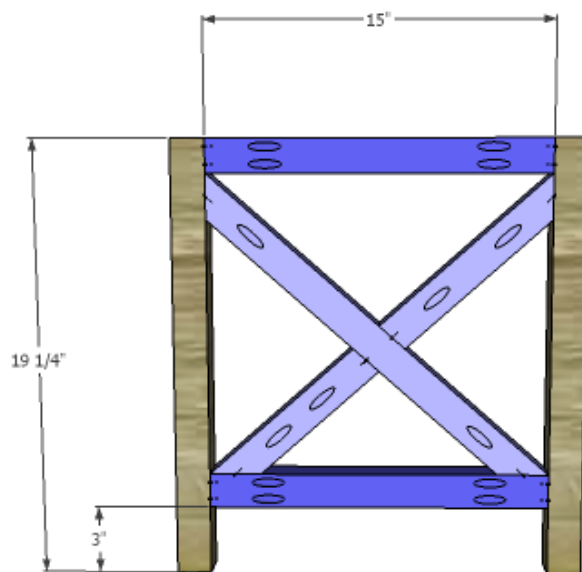
With the pocket hole jig set for 1-1/2" material, drill one pocket hole each end of the angled pieces as shown. Assemble the X detail using glue and 2-1/2" pocket hole screws.

Drill pocket holes in each end of the framing pieces. Secure the framing pieces to the legs as shown using glue and 2-1/2" pocket hole screws. Insert the X detail piece into the frame (trimming the angles, if necessary), then secure the X detail to the legs using glue and 2-1/2" pocket hole screws.





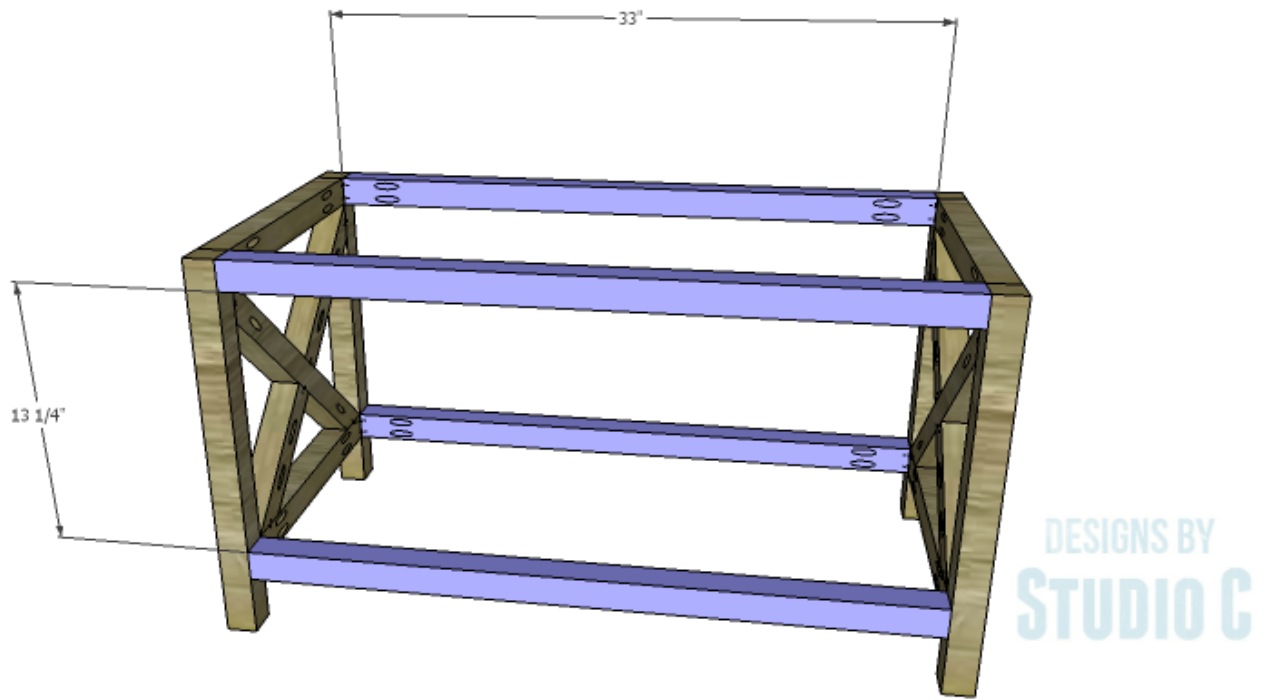
DESIGNS BY
STUDIO C



DESIGNS BY
STUDIO C

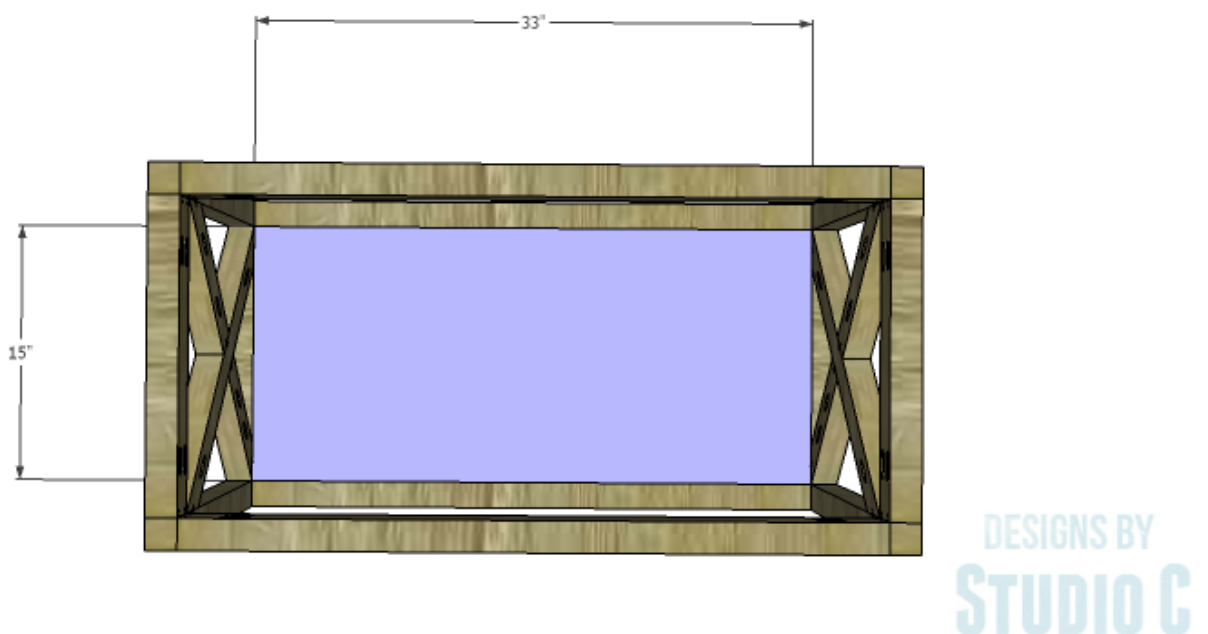
Step Two

Cut the pieces for the stretchers and drill pocket holes in each end. Secure the stretchers to the leg frame assemblies using glue and 2-1/2" pocket hole screws.



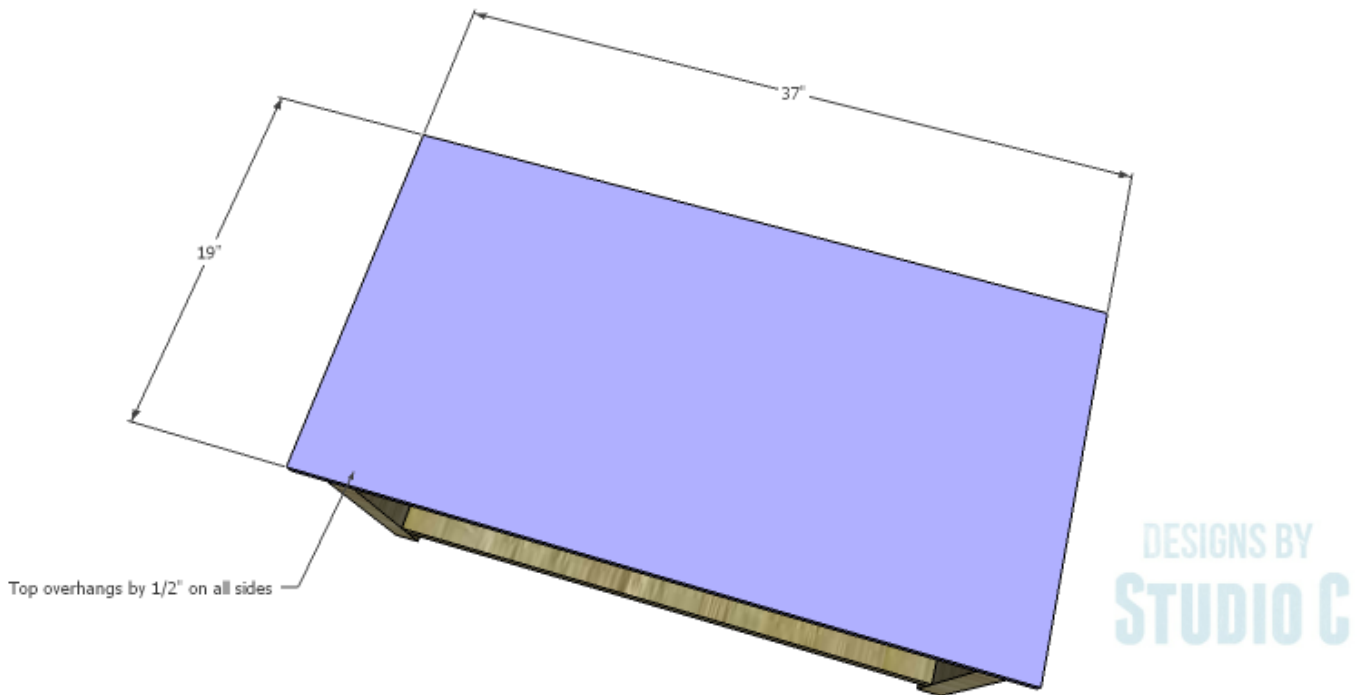
Step Three

Cut the piece for the shelf. Set the pocket hole jig for 3/4" material and drill pocket holes in all four edges. Secure the shelf to the stretchers using glue and 1-1/4" pocket hole screws. The top face of the shelf will be flush with the top face of the stretchers.



Step Four

Cut the piece for the top. If using edge banding, it will be applied to the top before securing the top to the frame. The top will overhang each side by 1/2". Secure in place using glue and 1-1/4" brad nails.



Finish as desired.

The coffee table and matching end tables will make a perfect addition to any decor! They are easy to construct, and (if finished properly) would be excellent outdoors on a deck or patio! Have any questions about the DIY plans to build a Riley Coffee Table? Leave a comment below!